

EXPO
INOX

ADW10



ADW10

**DOPPIA PARETE
ARIA
DOUBLE WALL
AIR**

ADW10



SISTEMA DOPPIA PARETE ARIA ADW10

Il sistema **doppia parete aria ADW10** è composto da elementi componibili rigidi con finitura lucida BA, realizzati con parete interna in acciaio inox austenitico AISI 316L BA (EN 1.4404) di spessore minimo 0,4 mm e parete esterna in acciaio inox austenitico AISI 304 BA (EN 1.4301) di spessore 0,4 mm, conformi agli standard previsti dalla marcatura CE secondo la normativa EN 1856/1-2. La coibentazione è realizzata con "lama d'aria" statica di spessore 10 mm. Gli elementi modulari hanno innesto classico a bicchiere maschio-femmina calibrato per entrambi le pareti con guarnizione di tenuta a triplice labbro da inserire sulla parete interna, conforme alla normativa europea EN 14241-1, e giunzione meccanica con fascetta di sicurezza.

Riferimento normativo e designazione

Marcatura del prodotto secondo la normativa europea: CE 0476 EN 1856-1 / EN 1856-2.

T200 P1 W V2 L50040* O 20 con guarnizione

T600 N1 W V2 L50040 G500 M

* La designazione può variare in funzione della qualità e dello spessore della materia prima come indica la tabella di seguito:

V2 AISI 316L		Vm AISI 304		ISOL.	SPESSORI
EN 1856-1	EXPO INOX	EN 1856/1-2	EXPO INOX		
L50040	ADW10	L20040	EADW10	10 mm	0,4 mm
L50050	ADW10	L20050	EADW10	10 mm	0,5 mm

Utilizzo

Condotti, canali da fumo, camini metallici, esalazioni aria asserviti a generatori di calore di tipo atmosferico, pressurizzato, ad aria soffiata, tradizionali o a condensazione, cappe cucina per uso industriale o domestico, stufe a pellet.

Applicazione

Installazione interna o esterna.

Diametri disponibili - mm

• 60/80 **A RICHIESTA** •

80/100 - 100/120 - 130/150 - 160/180 - 180/200 - 200/220

• 230/250 **A RICHIESTA** •

Diametro 250/270 disponibile **A RICHIESTA**

DOUBLE WALL AIR ADW10 SYSTEM

Double wall air ADW10 system is composed by modular rigid elements with BA surface finish, made with the inner wall of austenitic stainless steel AISI 316L BA (EN 1.4404) minimum thickness of 0.4 mm and outer wall in austenitic stainless steel AISI 304 BA (EN 1.4301) thickness 0.4 mm, according to the standards set out by the European CE mark, EN 1856/1-2. Insulation made with "air-blade" system, 10 mm thickness. The modular elements have classic male-female junction calibrated for both sides, with triple seal lip gasket, conforming to European standard EN 14241-1, and mechanical connection with locking clamp.

Normative references and designation

Product marking according to the European standard: CE 0476 EN 1856-1 / EN 1856-2.

T200 P1 W V2 L50040* O 20 with seal

T600 N1 W V2 L50040 G500 M

* The designation may vary according to the quality and thickness of the raw material, as indicated in the table below:

V2 AISI 316L		Vm AISI 304		INSUL.	THICKNESS
EN 1856-1	EXPO INOX	EN 1856/1-2	EXPO INOX		
L50040	ADW10	L20040	EADW10	10 mm	0.4 mm
L50050	ADW10	L20050	EADW10	10 mm	0.5 mm

Utilizations

Ducts, flue pipes, metal chimneys, air conduction subservient to atmospheric heat generators, pressurized, air blown, traditional or condensing, industrial or domestic kitchen hoods, pellet stoves.

Application

Internal or external installation.

Available diameters - mm

• 60/80 **ON REQUEST** •

80/100 - 100/120 - 130/150 - 160/180 - 180/200 - 200/220

• 230/250 **ON REQUEST** •

Diameter 250/270 available **ON REQUEST**

DOPPIA PARETE ARIA - DOUBLE WALL AIR



AEXTDP1C...

Elemento lineare da 1 m.

Pipe 1 m.



AEXTDP5C...

Elemento lineare da 0,50 m.

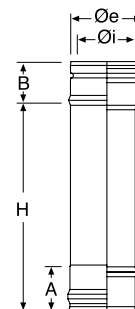
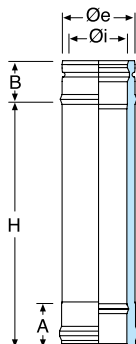
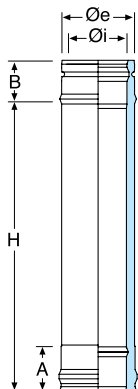
Pipe 0.50 m.



AEXTDP2C...

Elemento lineare da 0,33 m.

Pipe 0.33 m.



Øi	Øe	COD.	A	B	H
60	80	AEXTDP1C06	65	54	940
80	100	AEXTDP1C08	65	54	940
100	120	AEXTDP1C10	65	54	940
130	150	AEXTDP1C13	65	54	940
160	180	AEXTDP1C16	65	54	940
180	200	AEXTDP1C18	65	54	940
200	220	AEXTDP1C20	65	54	940
230	250	AEXTDP1C23	65	54	940
250	270	AEXTDP1C25	65	54	940

Øi	Øe	COD.	A	B	H
60	80	AEXTDP5C06	65	54	440
80	100	AEXTDP5C08	65	54	440
100	120	AEXTDP5C10	65	54	440
130	150	AEXTDP5C13	65	54	440
160	180	AEXTDP5C16	65	54	440
180	200	AEXTDP5C18	65	54	440
200	220	AEXTDP5C20	65	54	440
230	250	AEXTDP5C23	65	54	440
250	270	AEXTDP5C25	65	54	440

Øi	Øe	COD.	A	B	H
60	80	#	#	#	#
80	100	AEXTDP2C08	65	54	270
100	120	AEXTDP2C10	65	54	270
130	150	AEXTDP2C13	65	54	270
160	180	AEXTDP2C16	65	54	270
180	200	AEXTDP2C18	65	54	270
200	220	AEXTDP2C20	65	54	270
230	250	AEXTDP2C23	65	54	270
250	270	AEXTDP2C25	65	54	270

Finitura ramata esterna a richiesta
External kopper finish on request

Non disponibile
Not available



AEXTDP25C...

Elemento lineare da 0,25 m.

Pipe 0.25 m.



AEXETDP4C...

Elemento telescopico.

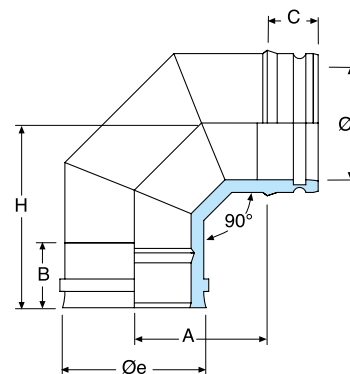
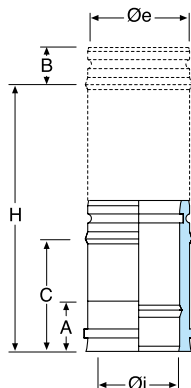
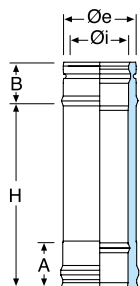
Adjustable pipe.



AEXGDP90C...

Curva a 90°.

Elbow 90°.



Øi	Øe	COD.	A	B	H
60	80	AEXTDP25C06	65	54	190
80	100	AEXTDP25C08	65	54	190
100	120	AEXTDP25C10	65	54	190
130	150	AEXTDP25C13	65	54	190
160	180	AEXTDP25C16	65	54	190
180	200	AEXTDP25C18	65	54	190
200	220	AEXTDP25C20	65	54	190
230	250	AEXTDP25C23	65	54	190
250	270	AEXTDP25C25	65	54	190

Øi	Øe	COD.	A	B	C	H
60	80	#	#	#	#	#
80	100	AEXETDP4C08	65	54	257	390
100	120	AEXETDP4C10	65	54	257	390
130	150	AEXETDP4C13	65	54	257	390
160	180	AEXETDP4C16	65	54	257	390
180	200	AEXETDP4C18	65	54	257	390
200	220	AEXETDP4C20	65	54	257	390
230	250	AEXETDP4C23	65	54	257	390
250	270	AEXETDP4C25	65	54	257	390

Øi	Øe	COD.	A	B	C	H
60	80	AEXGDP90C06	76	65	54	134
80	100	AEXGDP90C08	145	65	54	149
100	120	AEXGDP90C10	150	65	54	154
130	150	AEXGDP90C13	160	65	54	155
160	180	AEXGDP90C16	180	65	54	181
180	200	AEXGDP90C18	185	65	54	184

Finitura ramata esterna a richiesta
External kopper finish on request

Non disponibile
Not available

DOPPIA PARETE ARIA - DOUBLE WALL AIR



AEXGDP45C...

Curva a 45°.

Elbow 45°.



AEXGDP30C...

Curva a 30°.

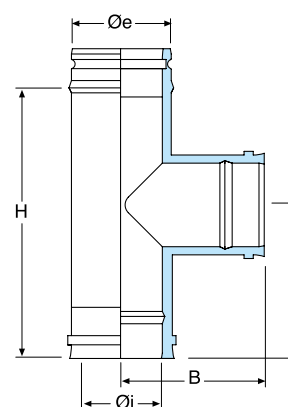
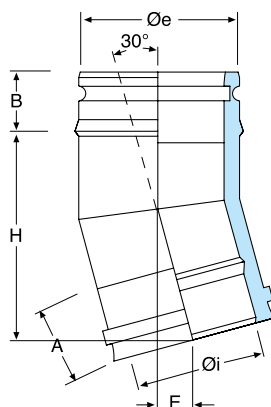
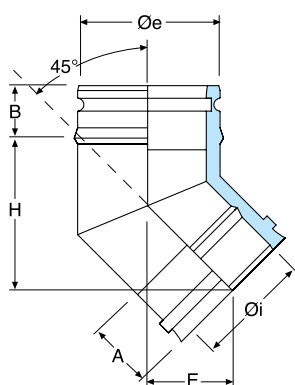
Elbow 30°.



AEXRTDPC...

Raccordo a "T" 90°.

90° tee.



Øi	Øe	COD.	A	B	E	H
60	80	AEXGDP45C06	65	54	60	91
80	100	AEXGDP45C08	65	54	64	98
100	120	AEXGDP45C10	65	54	67	105
130	150	AEXGDP45C13	65	54	75	126
160	180	AEXGDP45C16	65	54	79	137
180	200	AEXGDP45C18	65	54	82	143
200	220	AEXGDP45C20	65	54	88	160
230	250	AEXGDP45C23	65	54	91	164
250	270	AEXGDP45C25	65	54	91	164

Øi	Øe	COD.	A	B	E	H
60	80	#	#	#	#	#
80	100	AEXGDP30C08	65	54	44	116
100	120	AEXGDP30C10	65	54	46	119
130	150	AEXGDP30C13	65	54	48	122
160	180	AEXGDP30C16	65	54	51	130
180	200	AEXGDP30C18	65	54	51	135
200	220	AEXGDP30C20	65	54	53	142
230	250	AEXGDP30C23	65	54	54	147
250	270	AEXGDP30C25	65	54	54	147

Øi	Øe	COD.	A	B	H
60	80	AEXRTDPC06	123	128	190
80	100	AEXRTDPC08	123	138	190
100	120	AEXRTDPC10	163	148	270
130	150	AEXRTDPC13	160	155	270
160	180	AEXRTDPC16	160	170	270
180	200	AEXRTDPC18	245	180	440
200	220	AEXRTDPC20	245	190	440
230	250	AEXRTDPC23	245	205	440
250	270	AEXRTDPC25	245	205	440

Finitura ramata esterna a richiesta
External kopper finish on request

Non disponibile
Not available



AEXRTDPCU...

Raccordo a "T" 90° uscita monoparete ridotta a Ø 80 mm.

Tee 90° reduced Ø 80 mm single wall.



AEXRTDP60CU... *

Raccordo a "T" 90° uscita monoparete ridotta a Ø 60 mm.

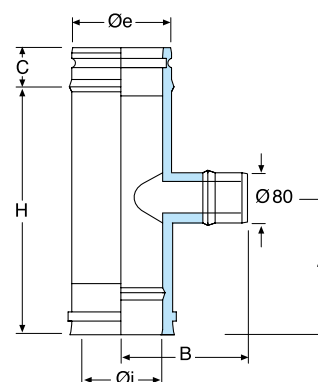
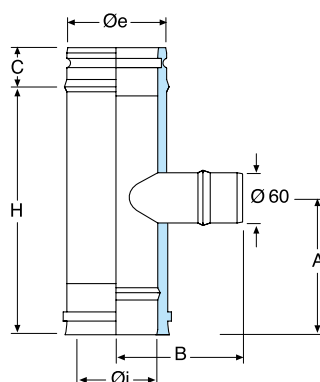
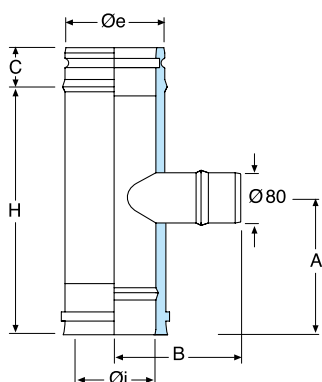
Tee 90° reduced Ø 60 mm single wall.



AEXRTDPCUDP...

Raccordo a "T" 90° uscita doppia parete ridotta a Ø 80 mm.

Tee 90° reduced Ø 80 mm double wall.



Øi	Øe	COD.	A	B	C	H
60	80	#	#	#	#	#
80	100	AEXRTDPCU08	125	70	54	190
100	120	AEXRTDPCU10	125	80	54	190
130	150	AEXRTDPCU13	125	95	54	190
160	180	AEXRTDPCU16	125	110	54	190
180	200	AEXRTDPCU18	125	120	54	190
200	220	AEXRTDPCU20	125	130	54	190
230	250	AEXRTDPCU23	125	14	54	190
250	270	AEXRTDPCU25	125	145	54	190

Øi	Øe	COD.	A	B	C	H
60	80	#	#	#	#	#
80	100	AEXRTDP60CU08	125	70	54	190
100	120	AEXRTDP60CU10	125	80	54	190
130	150	AEXRTDP60CU13	125	95	54	190
160	180	AEXRTDP60CU16	125	110	54	190
180	200	AEXRTDP60CU18	125	120	54	190
200	220	AEXRTDP60CU20	125	130	54	190
230	250	AEXRTDP60CU23	125	145	54	190
250	270	AEXRTDP60CU25	125	145	54	190

Øi	Øe	COD.	A	B	C	H
60	80	#	#	#	#	#
80	100	#	#	#	#	#
100	120	AEXRTDPCUDP10	125	80	54	190
130	150	AEXRTDPCUDP13	125	95	54	190
160	180	AEXRTDPCUDP16	125	110	54	190
180	200	AEXRTDPCUDP18	125	120	54	190
200	220	AEXRTDPCUDP20	125	130	54	190
230	250	AEXRTDPCUDP23	125	145	54	190
250	270	AEXRTDPCUDP25	125	145	54	190

Finitura ramata esterna a richiesta
External kopper finish on request

* A richiesta
On request

Non disponibile
Not available

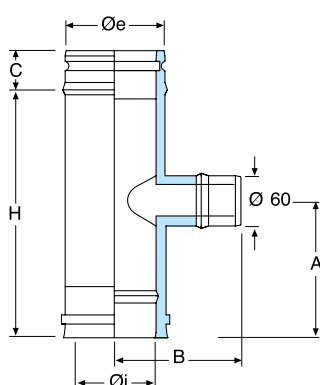
DOPPIA PARETE ARIA - DOUBLE WALL AIR



AEXRTDPCU60DP... *

Raccordo a "T" 90° uscita doppia parete ridotta a Ø 60 mm.

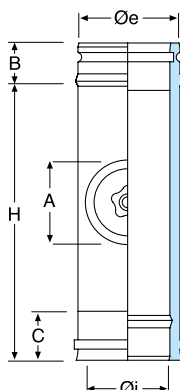
Tee 90° reduced Ø 60 mm double wall.



AEXTSIDPC...

Elemento con portello tondo per ispezione T 200°.

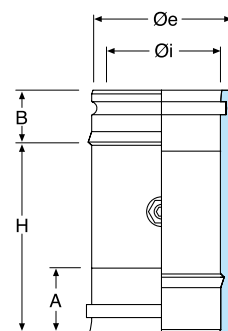
Inspection element with round test point T 200°.



AEXPF...

Elemento per prelievo fumi.

Fumes test section with threaded sleeve.



Øi	Øe	COD.	A	B	C	H
60	80	#	#	#	#	#
80	100	#	#	#	#	#
100	120	AEXRTDPCU60DP10	125	80	54	190
130	150	AEXRTDPCU60DP13	125	95	54	190
160	180	AEXRTDPCU60DP16	125	110	54	190
180	200	AEXRTDPCU60DP18	125	120	54	190
200	220	AEXRTDPCU60DP20	125	130	54	190
230	250	AEXRTDPCU60DP23	125	145	54	190
250	270	AEXRTDPCU60DP25	125	145	54	190

Øi	Øe	COD.	A	B	C	H
60	80	AEXTSIDPC06	60	54	65	190
80	100	AEXTSIDPC08	80	54	65	190
100	120	AEXTSIDPC10	100	54	65	270
130	150	AEXTSIDPC13	130	54	65	270
160	180	AEXTSIDPC16	160	54	65	270
180	200	AEXTSIDPC18	180	54	65	440
200	220	AEXTSIDPC20	200	54	65	440
230	250	AEXTSIDPC23	200	54	65	440
250	270	AEXTSIDPC25	200	54	65	440

Øi	Øe	COD.	A	B	H
60	80	#	#	#	#
80	100	AEXPF08	65	54	190
100	120	AEXPF10	65	54	190
130	150	AEXPF13	65	54	190
160	180	AEXPF16	65	54	190
180	200	AEXPF18	65	54	190
200	220	AEXPF20	65	54	190
230	250	AEXPF23	65	54	190
250	270	AEXPF25	65	54	190

Finitura ramata esterna a richiesta
External kopper finish on request

* A richiesta
On request

Non disponibile
Not available



AEXPIASTRC...

Piastra di partenza con scarico laterale.

Base plate with drain plug.



AEXPIASIC...

Piastra intermedia.

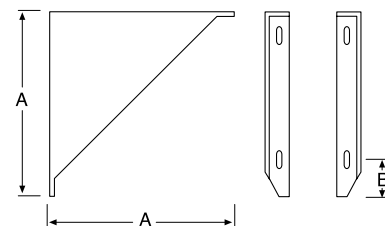
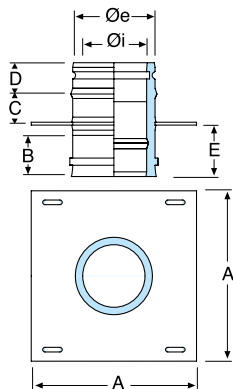
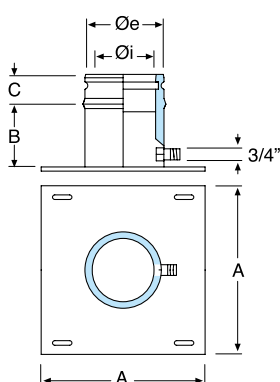
Intermediate anchor plate.



L316EXCS...

Coppia di supporti per piastra.

Cantilever brackets (pair).



Øi	Øe	COD.	A	B	C
60	80	#	#	#	#
80	100	AEXPIASTRC08	200	100	54
100	120	AEXPIASTRC10	220	100	54
130	150	AEXPIASTRC13	250	100	54
160	180	AEXPIASTRC16	280	100	54
180	200	AEXPIASTRC18	300	100	54
200	220	AEXPIASTRC20	320	100	54
230	250	AEXPIASTRC23	350	100	54
250	270	AEXPIASTRC25	350	100	54

Øi	Øe	COD.	A	B	C	D	E
60	80	#	#	#	#	#	#
80	100	AEXPIASIC08	200	65	58	54	80
100	120	AEXPIASIC10	220	65	58	54	80
130	150	AEXPIASIC13	250	65	58	54	80
160	180	AEXPIASIC16	280	65	58	54	80
180	200	AEXPIASIC18	300	65	58	54	80
200	220	AEXPIASIC20	320	65	58	54	80
230	250	AEXPIASIC23	350	65	58	54	80
250	270	AEXPIASIC25	350	65	58	54	80

Øi	Øe	COD.	A	B
60	80	L316EXCS08	180	32
80	100	L316EXCS10	200	32
100	120	L316EXCS12	220	32
130	150	L316EXCS15	250	32
160	180	L316EXCS18	280	32
180	200	L316EXCS20	300	32
200	220	L316EXCS22	320	32
230	250	L316EXCS25	350	32
250	270	L316EXCS27	350	32

Finitura ramata esterna a richiesta
External kopper finish on request

Non disponibile
Not available

DOPPIA PARETE ARIA - DOUBLE WALL AIR



AEXTAPDP4C...

Scarico condensa.

Tee cap with condense drain.



AEXTC...

Tappo cieco.

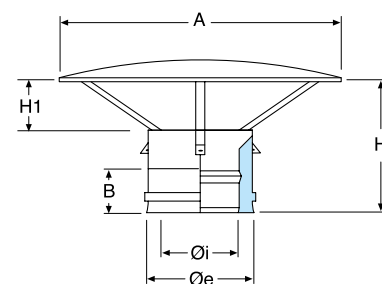
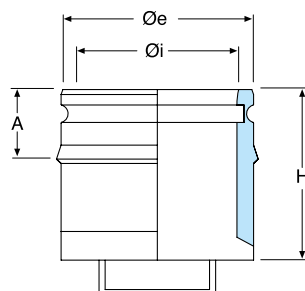
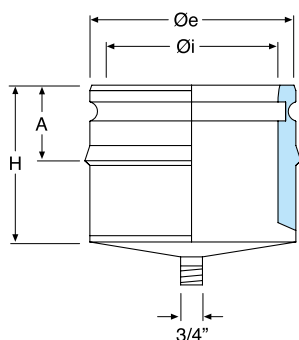
Tee cap.



AEXCCDPC...

Cappello cinese.

Rain cap.



Øi	Øe	COD.	A	H
60	80	AEXTAPDP4C06	54	115
80	100	AEXTAPDP4C08	54	115
100	120	AEXTAPDP4C10	54	115
130	150	AEXTAPDP4C13	54	115
160	180	AEXTAPDP4C16	54	115
180	200	AEXTAPDP4C18	54	115
200	220	AEXTAPDP4C20	54	115
230	250	AEXTAPDP4C23	54	115
250	270	AEXTAPDP4C25	54	115

Øi	Øe	COD.	A	H
60	80	AEXTC06	54	115
80	100	AEXTC08	54	115
100	120	AEXTC10	54	115
130	150	AEXTC13	54	115
160	180	AEXTC16	54	115
180	200	AEXTC18	54	115
200	220	AEXTC20	54	115
230	250	AEXTC23	54	115
250	270	AEXTC25	54	115

Øi	Øe	COD.	A	B	H	H1
60	80	AEXCCDPC06	180	65	185	50
80	100	AEXCCDPC08	230	65	205	70
100	120	AEXCCDPC10	265	65	205	70
130	150	AEXCCDPC13	265	65	210	75
160	180	AEXCCDPC16	320	65	225	90
180	200	AEXCCDPC18	320	65	235	100
200	220	AEXCCDPC20	400	65	250	115
230	250	AEXCCDPC23	400	65	260	125
250	270	AEXCCDPC25	400	65	260	125

Finitura ramata esterna a richiesta
External kopper finish on request



AEXTADPC...

Terminale anti intemperie.

Anti draught terminal.



AEXTTCDCPC...

Terminale tronco conico.

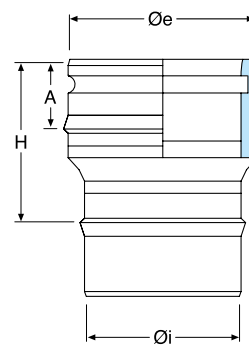
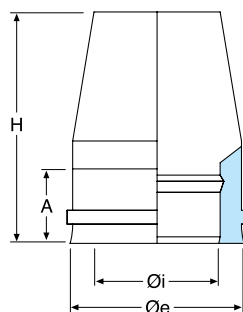
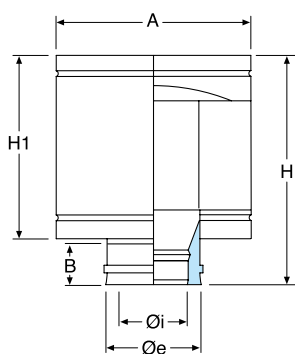
Venturi cone terminal.



AEXRCIDP...

Raccordo ingresso mono - doppia (raccordo per caldaia).

Adaptor from single to double wall (boiler adaptor).



Øi	Øe	COD.	A	B	H	H1
60	80	AEXTADPC06	185	65	240	165
80	100	AEXTADPC08	185	65	240	165
100	120	AEXTADPC10	220	65	240	165
130	150	AEXTADPC13	260	65	260	200
160	180	AEXTADPC16	300	65	280	200
180	200	AEXTADPC18	310	65	320	250
200	220	AEXTADPC20	370	65	340	250
230	250	AEXTADPC23	420	65	340	250
250	270	AEXTADPC25	420	65	340	250

Øi	Øe	COD.	A	H
60	80	AEXTTCDCPC06	65	235
80	100	AEXTTCDCPC08	65	235
100	120	AEXTTCDCPC10	65	235
130	150	AEXTTCDCPC13	65	235
160	180	AEXTTCDCPC16	65	235
180	200	AEXTTCDCPC18	65	235
200	220	AEXTTCDCPC20	65	235
230	250	AEXTTCDCPC23	65	235
250	270	AEXTTCDCPC25	65	235

Øi	Øe	COD.	A	H
60	80	#	#	#
80	100	AEXRCIDP08	54	140
100	120	AEXRCIDP10	54	140
130	150	AEXRCIDP13	54	140
160	180	AEXRCIDP16	54	140
180	200	AEXRCIDP18	54	140
200	220	AEXRCIDP20	54	140
230	250	AEXRCIDP23	54	140
250	270	AEXRCIDP25	54	140

Finitura ramata esterna a richiesta
External kopper finish on request

Non disponibile
Not available

DOBPIA PARETE ARIA - DOUBLE WALL AIR



L316EXFACSS...

Fascetta di sicurezza.

Locking band.



L316EX3LGN...

Guarnizione di tenuta in silicone nero.

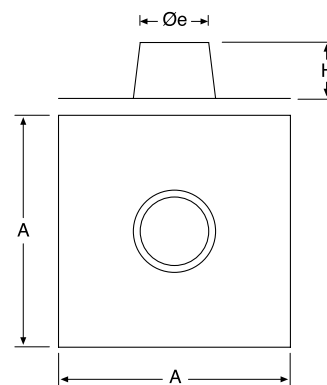
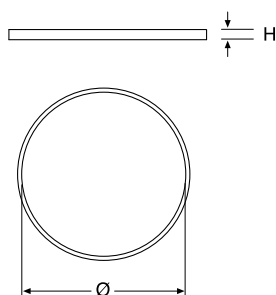
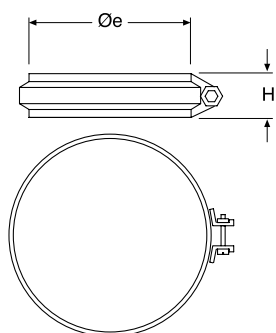
Silicon black seal.



L316EXFPPSS...

Faldale piano inox.

Flat stainless steel flashing.

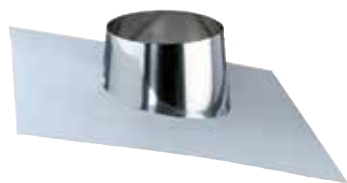


Øe	COD.	H
80	L316EXFACSS08	20
100	L316EXFACSS10	20
120	L316EXFACSS12	20
150	L316EXFACSS15	20
180	L316EXFACSS18	20
200	L316EXFACSS20	20
220	L316EXFACSS22	20
250	L316EXFACSS25	20
270	L316EXFACSS27	20

Ø	COD.	H
60	L316EX2GN06	10
80	L316EX3LGN08	10
100	L316EX3LGN10	10
130	L316EX3LGN13	10
160	L316EX3LGN16	10
180	L316EX3LGN18	10
200	L316EX3LGN20	10
230	L316EX3LGN23	10
250	L316EX3LGN25	10

Øi	Øe	COD.	A	H
60	80	L316EXFPPSS08	400	120
80	100	L316EXFPPSS10	400	120
100	120	L316EXFPPSS12	400	130
130	150	L316EXFPPSS15	500	150
160	180	L316EXFPPSS18	500	170
180	200	L316EXFPPSS20	600	180
200	220	L316EXFPPSS22	600	210
230	250	L316EXFPPSS25	600	210
250	270	L316EXFPPSS27	600	210

Finitura ramata esterna a richiesta
External kopper finish on request



L316EXFPS5S...

Faldale regolabile da 5° a 30° con base inox.

Adjustable stainless steel flashing from 5° to 30°.



L316EXFPS3S... *

Faldale regolabile da 30° a 45° con base inox.

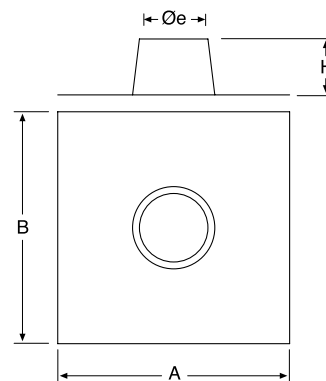
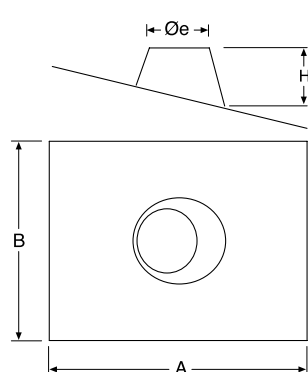
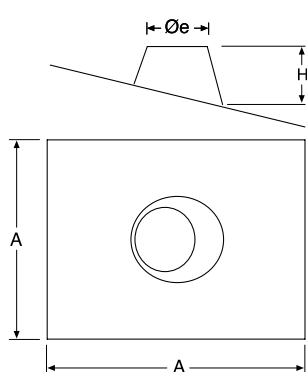
Adjustable stainless steel flashing from 30° to 45°.



BFL304AFPPSS...

Faldale piano con base in alluminio.

Flat flashing with aluminum base.



Øi	Øe	COD.	A	H
60	80	L316EXFPS5S08	400	120
80	100	L316EXFPS5S10	400	120
100	120	L316EXFPS5S12	400	130
130	150	L316EXFPS5S15	500	150
160	180	L316EXFPS5S18	500	170
180	200	L316EXFPS5S20	600	180
200	220	L316EXFPS5S22	600	210
230	250	L316EXFPS5S25	600	210
250	270	L316EXFPS5S27	600	210

Øi	Øe	COD.	A	B	H
60	80	L316EXFPS3S08	550	450	120
80	100	L316EXFPS3S10	550	450	120
100	120	L316EXFPS3S12	550	450	130
130	150	L316EXFPS3S15	650	550	150
160	180	L316EXFPS3S18	750	650	170
180	200	L316EXFPS3S20	750	650	180
200	220	L316EXFPS3S22	750	650	210
230	250	L316EXFPS3S25	750	650	210
250	270	L316EXFPS3S27	750	650	210

Øi	Øe	COD.	A	B	H
60	80	BFL304AFPPSS08	450	550	120
80	100	BFL304AFPPSS10	450	550	120
100	120	BFL304AFPPSS12	550	650	130
130	150	BFL304AFPPSS15	550	650	150
160	180	BFL304AFPPSS18	650	750	170
180	200	BFL304AFPPSS20	650	750	180
200	220	BFL304AFPPSS22	650	750	210
230	250	BFL304AFPPSS25	650	750	210
250	270	BFL304AFPPSS27	650	750	210

Finitura ramata esterna a richiesta
External kopper finish on request

* A richiesta
On request

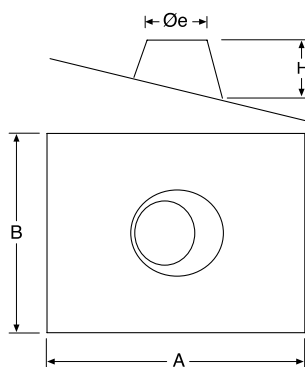
DOPPIA PARETE ARIA - DOUBLE WALL AIR



BFL304AFPS5S...

Faldale regolabile da 5° a 30° con base in alluminio.

Adjustable flashing from 5° to 30° with aluminum base.



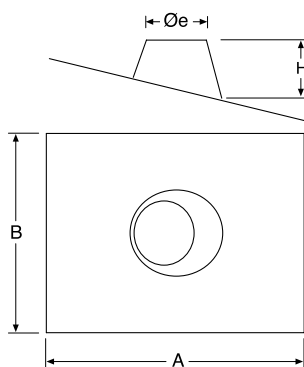
Øi	Øe	COD.	A	B	H
60	80	BFL304AFPS5S08	750	450	120
80	100	BFL304AFPS5S10	750	450	120
100	120	BFL304AFPS5S12	850	550	130
130	150	BFL304AFPS5S15	850	550	150
160	180	BFL304AFPS5S18	1000	650	170
180	200	BFL304AFPS5S20	1000	650	180
200	220	BFL304AFPS5S22	1000	650	210
230	250	BFL304AFPS5S25	1000	650	210
250	270	BFL304AFPS5S27	1000	650	210



BFL304FPS5S...

Faldale regolabile da 5° a 30° con base in piombo.

Adjustable flashing from 5° to 30° with lead base.



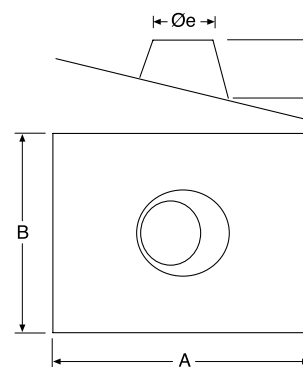
Øi	Øe	COD.	A	B	H
60	80	BFL304FPS5S08	600	500	120
80	100	BFL304FPS5S10	600	500	120
100	120	BFL304FPS5S12	600	500	130
130	150	BFL304FPS5S15	600	600	150
160	180	BFL304FPS5S18	800	800	170
180	200	BFL304FPS5S20	800	800	180
200	220	BFL304FPS5S22	800	800	210
230	250	BFL304FPS5S25	800	800	210
250	270	BFL304FPS5S27	800	800	210



BFL304FPS3S...

Faldale regolabile da 30° a 45° con base in piombo.

Adjustable flashing from 30° to 45° with lead base.



Øi	Øe	COD.	A	B	H
60	80	BFL304FPS3S08	600	500	120
80	100	BFL304FPS3S10	600	500	120
100	120	BFL304FPS3S12	600	500	130
130	150	BFL304FPS3S15	600	800	150
160	180	BFL304FPS3S18	800	800	170
180	200	BFL304FPS3S20	800	800	180
200	220	BFL304FPS3S22	1000	800	210
230	250	BFL304FPS3S25	1000	800	210
250	270	BFL304FPS3S27	1000	800	210

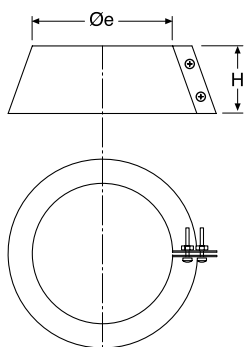
Finitura ramata esterna a richiesta
External kopper finish on request



L316EXFAPS2S...

Fascetta anti intemperie.

Storm collar.



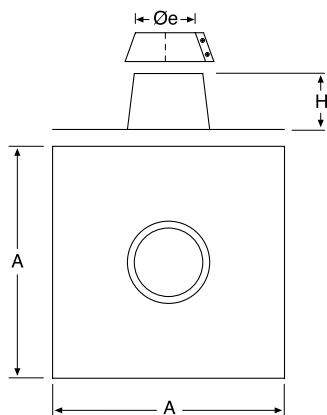
Øi	Øe	COD.	H
60	80	L316EXFAPS2S08	100
80	100	L316EXFAPS2S10	100
100	120	L316EXFAPS2S12	100
130	150	L316EXFAPS2S15	100
160	180	L316EXFAPS2S18	100
180	200	L316EXFAPS2S20	100
200	220	L316EXFAPS2S22	100
230	250	L316EXFAPS2S25	100
250	270	L316EXFAPS2S27	100



BFL316FPPSSF...

Faldale piano con base inox e fascetta anti intemperie.

Flat stainless steel flashing with storm collar.



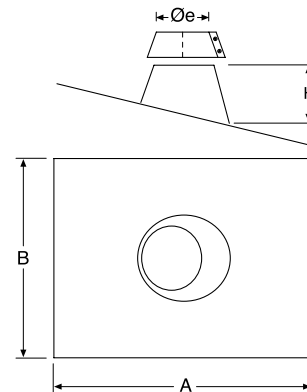
Øi	Øe	COD.	A	H
60	80	BFL316FPPSSF08	400	120
80	100	BFL316FPPSSF10	400	120
100	120	BFL316FPPSSF12	400	130
130	150	BFL316FPPSSF15	500	150
160	180	BFL316FPPSSF18	500	170
180	200	BFL316FPPSSF20	600	180
200	220	BFL316FPPSSF22	600	210
230	250	BFL316FPPSSF25	600	210
250	270	BFL316FPPSSF27	600	210



BFL316FPS5SF...

Faldale regolabile da 5° a 30° con base in piombo e fascetta anti intemperie.

Adjustable flashing from 5° to 30° with lead base and storm collar.



Øi	Øe	COD.	A	B	H
60	80	BFL316FPS5SF08	600	500	120
80	100	BFL316FPS5SF10	600	500	120
100	120	BFL316FPS5SF12	600	500	130
130	150	BFL316FPS5SF15	600	600	150
160	180	BFL316FPS5SF18	800	800	170
180	200	BFL316FPS5SF20	800	800	180
200	220	BFL316FPS5SF22	800	800	210
230	250	BFL316FPS5SF25	800	800	210
250	270	BFL316FPS5SF27	800	800	210

Finitura ramata esterna a richiesta
External kopper finish on request

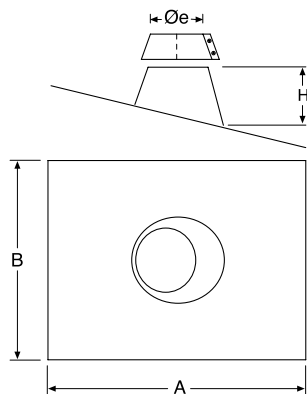
DOPPIA PARETE ARIA - DOUBLE WALL AIR



BFL316FPS3SF...

Faldale regolabile da 30° a 45° con base in piombo e fascetta anti intemperie.

Adjustable flashing from 30° to 45° with lead base and storm collar.



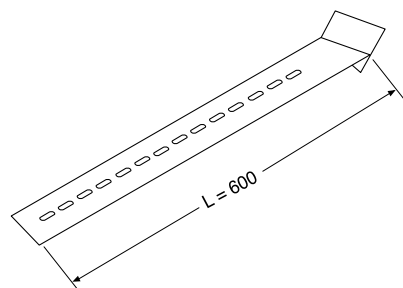
Øi	Øe	COD.	A	B	H
60	80	BFL316FPS3SF08	600	500	120
80	100	BFL316FPS3SF10	600	500	120
100	120	BFL316FPS3SF12	650	500	130
130	150	BFL316FPS3SF15	800	800	150
160	180	BFL316FPS3SF18	800	800	170
180	200	BFL316FPS3SF20	800	800	180
200	220	BFL316FPS3SF22	1000	800	210
230	250	BFL316FPS3SF25	1000	800	210
250	270	BFL316FPS3SF27	1000	800	210



DISTREG

Distanziale per collare a muro L = 600 mm.

Adjustable distance piece for wall bracket L = 600 mm.



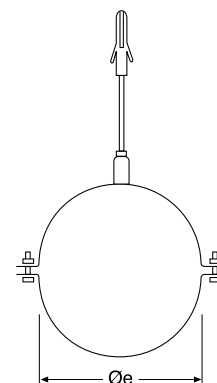
COD.	L
DISTREG	600



L316EXCCT...

Collare a muro con tassello.

Wall bracket with anchor bolt.



Øe	COD.
80	L316EXCCT08
100	L316EXCCT10
120	L316EXCCT12
150	L316EXCCT15
180	L316EXCCT18
200	L316EXCCT20
220	L316EXCCT22
250	L316EXCCT25
270	L316EXCCT27

Finitura ramata esterna a richiesta
External kopper finish on request



L316EXCOLSS...

Collare a muro.

Wall bracket.



BFL316CREG...

Collare a muro regolabile da 50 a 100 mm.

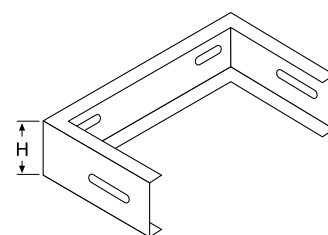
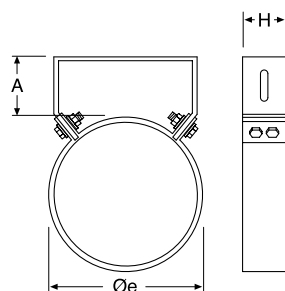
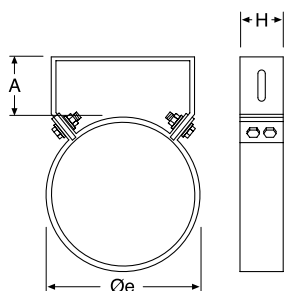
Wall bracket adjustable from 50 to 100 mm.



L316EXDIS...

Distanziale per collare a muro.

Extension for wall bracket.



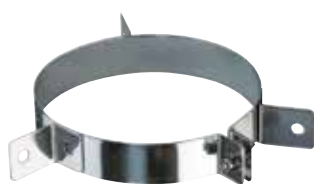
Øe	COD.	A	H
80	L316EXCOLSS08	50	40
100	L316EXCOLSS10	50	40
120	L316EXCOLSS12	50	40
150	L316EXCOLSS15	50	40
180	L316EXCOLSS18	50	40
200	L316EXCOLSS20	50	40
220	L316EXCOLSS22	50	40
250	L316EXCOLSS25	50	40
270	L316EXCOLSS27	50	40

Øe	COD.	A	H
80	BFL316CREG08	50-100	40
100	BFL316CREG10	50-100	40
120	BFL316CREG12	50-100	40
150	BFL316CREG15	50-100	40
180	BFL316CREG18	50-100	40
200	BFL316CREG20	50-100	40
220	BFL316CREG22	50-100	40
250	BFL316CREG25	50-100	40
270	BFL316CREG27	50-100	40

Øe	COD.	H
80	L316EXDIS08	40
100	L316EXDIS10	40
120	L316EXDIS12	40
150	L316EXDIS15	40
180	L316EXDIS18	40
200	L316EXDIS20	40
220	L316EXDIS22	40
250	L316EXDIS25	40
270	L316EXDIS27	40

Finitura ramata esterna a richiesta
External kopper finish on request

DOPPIA PARETE ARIA - DOUBLE WALL AIR



L316EXFCPSS...

Collare per cavi tiranti.

Guy wire bracket.



L316EXCD...

Collare distanziatore per intubamenti.

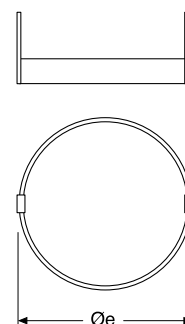
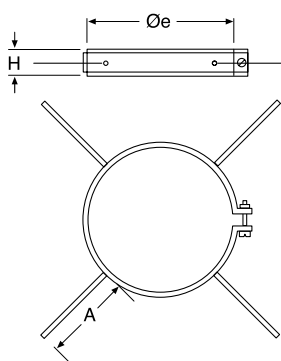
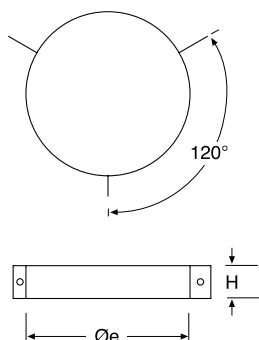
Spacing bracket.



L316EXCR...

Collare per ritubazione.

Bracket for re-piping.



Øe	COD.	H
80	L316EXFCPSS08	40
100	L316EXFCPSS10	40
120	L316EXFCPSS12	40
150	L316EXFCPSS15	40
180	L316EXFCPSS18	40
200	L316EXFCPSS20	40
220	L316EXFCPSS22	40
250	L316EXFCPSS25	40
270	L316EXFCPSS27	40

Øe	COD.	A	H
80	L316EXCD08	300	40
100	L316EXCD10	300	40
120	L316EXCD12	300	40
150	L316EXCD15	300	40
180	L316EXCD18	300	40
200	L316EXCD20	300	40
220	L316EXCD22	300	40
250	L316EXCD25	300	40
270	L316EXCD27	300	40

Øe	COD.
80	L316EXCR08
100	L316EXCR10
120	L316EXCR12
150	L316EXCR15
180	L316EXCR18
200	L316EXCR20
220	L316EXCR22
250	L316EXCR25
270	L316EXCR27

Finitura ramata esterna a richiesta
External kopper finish on request



LUBGN

Lubrificante per guarnizione.

Lubricant for seal.

COD.
LUBGN

Finitura ramata esterna a richiesta
External kopper finish on request