

EXPO
INOX

SDW50



SDW50

DOPPIA PARETE
DOUBLE WALL

SDW50



SISTEMA DOPPIA PARETE SDW50

Il sistema **doppia parete SDW50** è composto da elementi componibili rigidi con finitura lucida BA, realizzati con parete interna in acciaio inox AISI 316L di spessore minimo 0,4 mm e parete esterna in acciaio inox AISI 304, conformi agli standard previsti dalla marcatura CE secondo la normativa EN 1856/1. La coibentazione è realizzata in lana minerale ad alta densità di spessore 50 mm, pressata ed interposta tra le pareti senza elementi di giunzione tra le stesse (ponte termico). Gli elementi modulari hanno innesto classico a bicchiere maschio-femmina calibrato per entrambi le pareti con guarnizione di tenuta a triplice labbro da inserire sulla parete interna, conforme alla normativa europea EN 14241-1, e giunzione meccanica con fascetta di sicurezza.

Riferimento normativo e designazione

Marcatura del prodotto secondo la normativa europea: CE 0476 EN 1856-1.

T200 H1 W V2 L50040* O xx con guarnizione a tre labbra inclinata verso il basso - Ø 80 ÷ 300

T200 P1 W V2 L50040* O xx con guarnizione

T600 N1 W V2 L50040 O zz / G yy senza guarnizione

* La designazione può variare in funzione della qualità e dello spessore della materia prima come indica la tabella di seguito:

V2 AISI 316L		Vm AISI 304		ISOL.	SPESSORI
EN 1856-1	EXPO INOX	EN 1856/1-2	EXPO INOX		
L50040 (Ø 80÷200)	SDW50	L20040	ESDW50	50 mm	0,4 mm
L50050* (Ø 250÷500)	SDW50	L20050	ESDW50	50 mm	0,5 mm
L50060* (Ø 550÷800)	SDW50	L20060	ESDW50	50 mm	0,6 mm

O xx	T200	G yy
xx = 30 mm ≈ Ø 80 ÷ 300		yy = 50 mm ≈ Ø 80 ÷ 300
xx = 45 mm ≈ Ø 350 ÷ 450		yy = 75 mm ≈ Ø 350 ÷ 450
xx = 60 mm ≈ Ø 500		yy = 100 mm ≈ Ø 500

Utilizzo

Condotti, canali da fumo, camini metallici, esalazioni aria asserviti a generatori di calore di tipo atmosferico, pressurizzato, ad aria soffiata, tradizionali o a condensazione, cappe cucina per uso industriale o domestico, stufe a legna, caminetti, stufe a pellet. Particolarmente adatto per elevata resistenza termica.

Applicazione

Installazione interna o esterna.

Diametri disponibili - mm - A RICHIESTA

80/180 - 100/200 - 130/230 - 150/250 - 180/280 - 200/300 - 250/350 - 300/400 - 350/450 - 400/500 - 450/550 - 500/600.

Disponibile sino a diametro interno 800.

DOUBLE WALL SDW50 SYSTEM

Double wall SDW50 system is composed by modular rigid elements with BA surface finish, made with the inner wall of stainless steel AISI 316L minimum thickness of 0.4 mm and outer wall in stainless steel AISI 304, according to the standards set out by the European CE mark, EN 1856/1. Insulation made of high density mineral wool 50 mm thickness, pressed and interposed between the walls without connecting elements between the same (thermal junction). The modular elements have classic male-female junction calibrated for both sides, with triple seal lip gasket, conforming to European standard EN 14241-1, and mechanical connection with locking clamp.

Normative references and designation

Product marking according to the European standard: CE 0476 EN 1856-1.

T200 H1 W V2 L50040* O xx with seal a three lips tilted down - Ø 80 ÷ 300

T200 P1 W V2 L50040* O xx with seal

T600 N1 W V2 L50040 O zz / G yy without seal

* The designation may vary according to the quality and thickness of the raw material, as indicated in the table below:

V2 AISI 316L		Vm AISI 304		INSUL.	THICKNESS
EN 1856-1	EXPO INOX	EN 1856/1-2	EXPO INOX		
L50040 (Ø 80÷200)	SDW50	L20040	ESDW50	50 mm	0.4 mm
L50050* (Ø 250÷500)	SDW50	L20050	ESDW50	50 mm	0.5 mm
L50060* (Ø 550÷800)	SDW50	L20060	ESDW50	50 mm	0.6 mm

O xx	T200	G yy
xx = 30 mm ≈ Ø 80 ÷ 300		yy = 50 mm ≈ Ø 80 ÷ 300
xx = 45 mm ≈ Ø 350 ÷ 450		yy = 75 mm ≈ Ø 350 ÷ 450
xx = 60 mm ≈ Ø 500		yy = 100 mm ≈ Ø 500

Utilizations

Ducts, flue pipes, metal chimneys, air conduction subservient to atmospheric heat generators, pressurized, air blown, traditional or condensing, industrial or domestic kitchen hoods, wood stoves, fireplaces, pellet stoves. Particularly used with high temperatures heating systems.

Application

Internal or external installation.

Available diameters - mm - ON REQUEST

80/180 - 100/200 - 130/230 - 150/250 - 180/280 - 200/300 - 250/350 - 300/400 - 350/450 - 400/500 - 450/550 - 500/600.

Available internal diameter up to 800.

DOPPIA PARETE - DOUBLE WALL AISI 316L



SEXTDP1C...

Elemento lineare da 1 m.

Pipe 1 m.



SEXTDP5C...

Elemento lineare da 0,50 m.

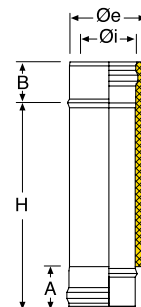
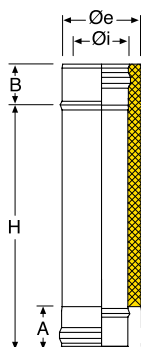
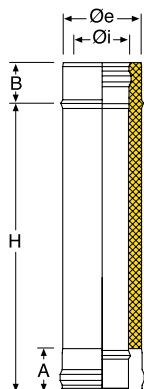
Pipe 0.50 m.



SEXTDP2C...

Elemento lineare da 0,33 m.

Pipe 0.33 m.



Øi	Øe	COD.	A	B	H
80	180	SEXTDP1C08	65	54	940
100	200	SEXTDP1C10	65	54	940
130	230	SEXTDP1C13	65	54	940
150	250	SEXTDP1C15	65	54	940
180	280	SEXTDP1C18	65	54	940
200	300	SEXTDP1C20	65	54	940
250	350	SEXTDP1C25	65	54	940
300	400	SEXTDP1C30	65	54	940
350	450	SEXTDP1C35	65	54	940
400	500	SEXTDP1C40	65	54	940
450	550	SEXTDP1C45	65	54	940
500	600	SEXTDP1C50	65	54	940

Øi	Øe	COD.	A	B	H
80	180	SEXTDP5C08	65	54	440
100	200	SEXTDP5C10	65	54	440
130	230	SEXTDP5C13	65	54	440
150	250	SEXTDP5C15	65	54	440
180	280	SEXTDP5C18	65	54	440
200	300	SEXTDP5C20	65	54	440
250	350	SEXTDP5C25	65	54	440
300	400	SEXTDP5C30	65	54	440
350	450	SEXTDP5C35	65	54	440
400	500	SEXTDP5C40	65	54	440
450	550	SEXTDP5C45	65	54	440
500	600	SEXTDP5C50	65	54	440

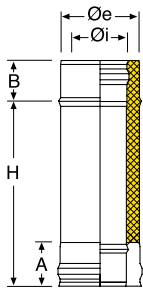
Øi	Øe	COD.	A	B	H
80	180	SEXTDP2C08	65	54	270
100	200	SEXTDP2C10	65	54	270
130	230	SEXTDP2C13	65	54	270
150	250	SEXTDP2C15	65	54	270
180	280	SEXTDP2C18	65	54	270
200	300	SEXTDP2C20	65	54	270
250	350	SEXTDP2C25	65	54	270
300	400	SEXTDP2C30	65	54	270
350	450	SEXTDP2C35	65	54	270
400	500	SEXTDP2C40	65	54	270
450	550	SEXTDP2C45	65	54	270
500	600	SEXTDP2C50	65	54	270



SEXTDP25C...

Elemento lineare da 0,25 m.

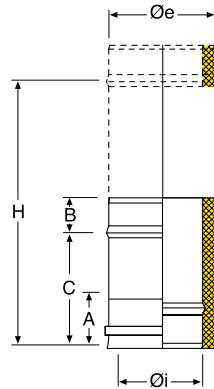
Pipe 0.25 m.



SEXETDP4C...

Elemento telescopico.

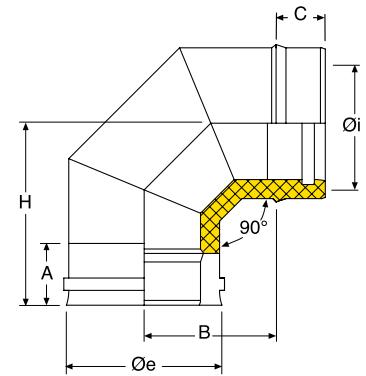
Adjustable pipe.



SEXGDP90C...

Curva a 90°.

Elbow 90°.



Øi	Øe	COD.	A	B	H
80	180	SEXTDP25C08	65	54	190
100	200	SEXTDP25C10	65	54	190
130	230	SEXTDP25C13	65	54	190
150	250	SEXTDP25C15	65	54	190
180	280	SEXTDP25C18	65	54	190
200	300	SEXTDP25C20	65	54	190
250	350	SEXTDP25C25	65	54	190
300	400	SEXTDP25C30	65	54	190
350	450	SEXTDP25C35	65	54	190
400	500	SEXTDP25C40	65	54	190
450	550	SEXTDP25C45	65	54	190
500	600	SEXTDP25C50	65	54	190

Øi	Øe	COD.	A	B	C	H
80	180	SEXETDP4C08	65	54	260	390
100	200	SEXETDP4C10	65	54	260	390
130	230	SEXETDP4C13	65	54	260	390
150	250	SEXETDP4C15	65	54	260	390
180	280	SEXETDP4C18	65	54	260	390
200	300	SEXETDP4C20	65	54	260	390
250	350	SEXETDP4C25	65	54	260	390
300	400	SEXETDP4C30	65	54	260	390
350	450	SEXETDP4C35	65	54	260	390
400	500	SEXETDP4C40	65	54	260	390
450	550	SEXETDP4C45	65	54	260	390
500	600	SEXETDP4C50	65	54	260	390

Øi	Øe	COD.	A	B	C	H
80	180	SEXGDP90C08	65	100	54	160
100	200	SEXGDP90C10	65	120	54	180
130	230	SEXGDP90C13	65	130	54	190
150	250	SEXGDP90C15	65	140	54	200
180	280	SEXGDP90C18	65	155	54	215
200	300	SEXGDP90C20	65	165	54	225
250	350	SEXGDP90C25	65	190	54	250
300	400	SEXGDP90C30	65	215	54	275
350	450	SEXGDP90C35	65	261	54	321
400	500	SEXGDP90C40	65	307	54	367
450	550	SEXGDP90C45	65	332	54	392
500	600	SEXGDP90C50	65	357	54	417

DOPPIA PARETE - DOUBLE WALL AISI 316L



SEXGDP45C...

Curva a 45°.

Elbow 45°.



SEXGDP30C...

Curva a 30°.

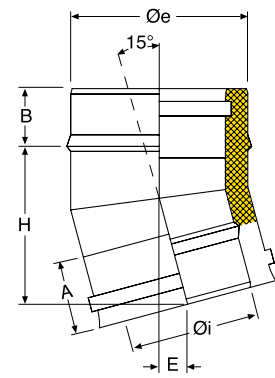
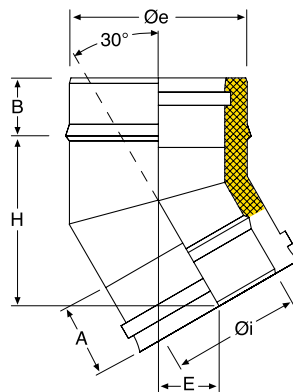
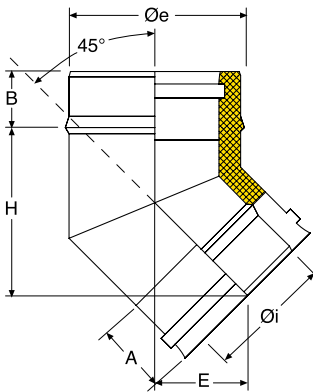
Elbow 30°.



SEXGDP15C...

Curva a 15°.

Elbow 15°.



Øi	Øe	COD.	A	B	E	H
80	180	SEXGDP45C08	65	54	79	137
100	200	SEXGDP45C10	65	54	82	143
130	230	SEXGDP45C13	65	54	88	160
150	250	SEXGDP45C15	65	54	91	164
180	280	SEXGDP45C18	65	54	94	174
200	300	SEXGDP45C20	65	54	98	184
250	350	SEXGDP45C25	65	54	105	197
300	400	SEXGDP45C30	65	54	114	215
350	450	SEXGDP45C35	65	54	123	234
400	500	SEXGDP45C40	65	54	130	252
450	550	SEXGDP45C45	65	54	138	270
500	600	SEXGDP45C50	65	54	145	287

Øi	Øe	COD.	A	B	E	H
80	180	SEXGDP30C08	65	54	51	130
100	200	SEXGDP30C10	65	54	51	135
130	230	SEXGDP30C13	65	54	53	142
150	250	SEXGDP30C15	65	54	54	147
180	280	SEXGDP30C18	65	54	56	154
200	300	SEXGDP30C20	65	54	57	160
250	350	SEXGDP30C25	65	54	60	172
300	400	SEXGDP30C30	65	54	63	184
350	450	SEXGDP30C35	65	54	67	197
400	500	SEXGDP30C40	65	54	70	210
450	550	SEXGDP30C45	65	54	74	222
500	600	SEXGDP30C50	65	54	77	235

Øi	Øe	COD.	A	B	E	H
80	180	SEXGDP15C08	65	54	23	119
100	200	SEXGDP15C10	65	54	24	121
130	230	SEXGDP15C13	65	54	25	125
150	250	SEXGDP15C15	65	54	24	128
180	280	SEXGDP15C18	65	54	25	131
200	300	SEXGDP15C20	65	54	25	134
250	350	SEXGDP15C25	65	54	26	141
300	400	SEXGDP15C30	65	54	27	147
350	450	SEXGDP15C35	65	54	28	154
400	500	SEXGDP15C40	65	54	29	160
450	550	SEXGDP15C45	65	54	30	167
500	600	SEXGDP15C50	65	54	31	173



SEXRTDPC...

Raccordo a "T" 90°.

90° tee.



SEXRTIC...

Raccordo a "T" 45°.

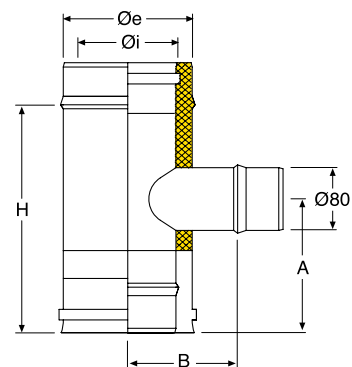
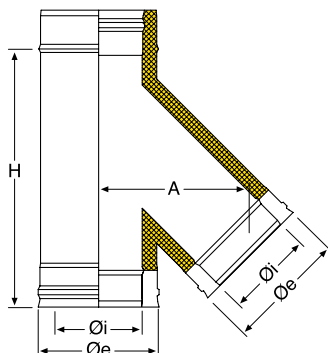
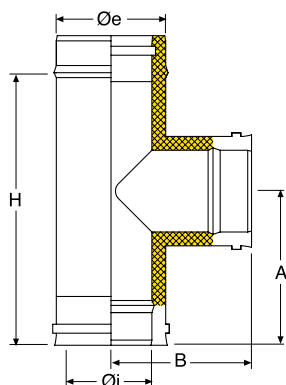
45° tee.



SEXRTDPCU...

Raccordo a "T" 90° uscita monoparete ridotta a Ø 80 mm.

Tee 90° reduced Ø 80 mm single wall.



Øi	Øe	COD.	A	B	H
80	180	SEXRTDPC08	242	165	440
100	200	SEXRTDPC10	242	175	440
130	230	SEXRTDPC13	242	190	440
150	250	SEXRTDPC15	242	200	440
180	280	SEXRTDPC18	242	213	440
200	300	SEXRTDPC20	242	225	440
250	350	SEXRTDPC25	267	250	490
300	400	SEXRTDPC30	322	275	588
350	450	SEXRTDPC35	380	300	710
400	500	SEXRTDPC40	380	325	710
450	550	SEXRTDPC45	405	350	760
500	600	SEXRTDPC50	430	375	810

Øi	Øe	COD.	A	H
80	180	SEXRTIC08	241	390
100	200	SEXRTIC10	258	440
130	230	SEXRTIC13	273	470
150	250	SEXRTIC15	300	515
180	280	SEXRTIC18	344	560
200	300	SEXRTIC20	344	560
250	350	SEXRTIC25	386	640
300	400	SEXRTIC30	496	883
350	450	SEXRTIC35	515	940
400	500	SEXRTIC40	542	1020
450	550	SEXRTIC45	593	1020
500	600	SEXRTIC50	653	1092

Øi	Øe	COD.	A	B	H
80	180	SEXRTDPCU08	123	90	190
100	200	SEXRTDPCU10	123	100	190
130	230	SEXRTDPCU13	123	115	190
150	250	SEXRTDPCU15	123	125	190
180	280	SEXRTDPCU18	123	140	190
200	300	SEXRTDPCU20	123	150	190
250	350	SEXRTDPCU25	123	175	190
300	400	SEXRTDPCU30	123	200	190
350	450	#	#	#	#
400	500	#	#	#	#
450	550	#	#	#	#
500	600	#	#	#	#

Non disponibile
Not available

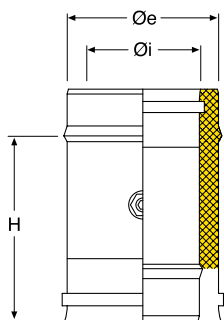
DOPPIA PARETE - DOUBLE WALL AISI 316L



SEXP...

Elemento per prelievo fumi.

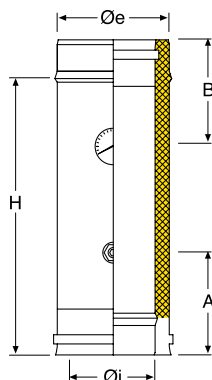
Fumes test section with threaded sleeve.



SEXPFT...

Elemento per prelievo fumi e temperatura.

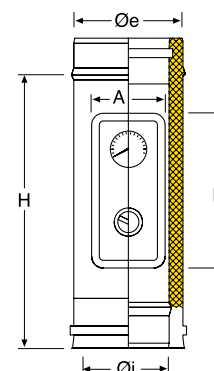
Element for smoke and temperature test with threaded sleeve.



SEXTMCFC...

Elemento per prelievo fumi e temperatura con piastra.

Element with plate for smoke and temperature.



Øi	Øe	COD.	H
80	180	SEXPFO8	190
100	200	SEXPFO10	190
130	230	SEXPFO13	190
150	250	SEXPFO15	190
180	280	SEXPFO18	190
200	300	SEXPFO20	190
250	350	SEXPFO25	190
300	400	SEXPFO30	190
350	450	SEXPFO35	190
400	500	SEXPFO40	190
450	550	SEXPFO45	190
500	600	SEXPFO50	190

Øi	Øe	COD.	A	B	H
80	180	SEXPFT08	65	65	440
100	200	SEXPFT10	65	65	440
130	230	SEXPFT13	65	65	440
150	250	SEXPFT15	65	65	440
180	280	SEXPFT18	65	65	440
200	300	SEXPFT20	65	65	440
250	350	SEXPFT25	65	65	440
300	400	SEXPFT30	65	65	440
350	450	SEXPFT35	65	65	440
400	500	SEXPFT40	65	65	440
450	550	SEXPFT45	65	65	440
500	600	SEXPFT50	65	65	440

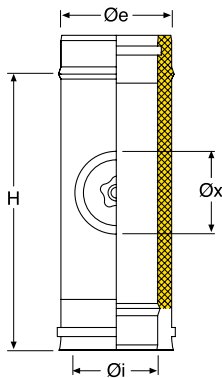
Øi	Øe	COD.	A	B	H
80	180	SEXTMCFC08	113	190	440
100	200	SEXTMCFC10	113	190	440
130	230	SEXTMCFC13	113	190	440
150	250	SEXTMCFC15	113	190	440
180	280	SEXTMCFC18	113	190	440
200	300	SEXTMCFC20	113	190	440
250	350	SEXTMCFC25	185	280	440
300	400	SEXTMCFC30	185	280	440
350	450	SEXTMCFC35	185	280	440
400	500	SEXTMCFC40	185	280	440
450	550	SEXTMCFC45	185	280	440
500	600	SEXTMCFC50	185	280	440



SEXTSIDPC...

Elemento con portello tondo per ispezione T 200°.

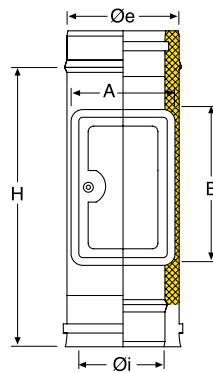
Inspection element with round test point T 200°.



SEXDPERC...

Elemento per raccolta cenere con ispezione rettangolare.

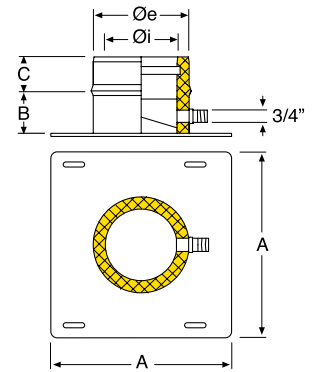
Ash collection element with rectangular door.



SEXPIASTRC...

Piastra di partenza con scarico laterale.

Base plate with drain plug.



Øi	Øe	COD.	Øx	H
80	180	SEXTSIDPC08	80	270
100	200	SEXTSIDPC10	100	270
130	230	SEXTSIDPC13	130	270
150	250	SEXTSIDPC15	150	270
180	280	SEXTSIDPC18	180	440
200	300	SEXTSIDPC20	200	440
250	350	SEXTSIDPC25	200	440
300	400	SEXTSIDPC30	200	440
350	450	SEXTSIDPC35	200	440
400	500	SEXTSIDPC40	200	440
450	550	SEXTSIDPC45	200	440
500	600	SEXTSIDPC50	200	440

Øi	Øe	COD.	A	B	H
80	180	SEXDPERC08	113	190	440
100	200	SEXDPERC10	113	190	440
130	230	SEXDPERC13	113	190	440
150	250	SEXDPERC15	113	190	440
180	280	SEXDPERC18	113	190	440
200	300	SEXDPERC20	113	190	440
250	350	SEXDPERC25	185	280	440
300	400	SEXDPERC30	185	280	440
350	450	SEXDPERC35	185	280	440
400	500	SEXDPERC40	185	280	440
450	550	SEXDPERC45	185	280	440
500	600	SEXDPERC50	185	280	440

Øi	Øe	COD.	A	B	C
80	180	SEXPIASTRC08	280	100	54
100	200	SEXPIASTRC10	300	100	54
130	230	SEXPIASTRC13	330	100	54
150	250	SEXPIASTRC15	350	100	54
180	280	SEXPIASTRC18	380	100	54
200	300	SEXPIASTRC20	400	100	54
250	350	SEXPIASTRC25	450	100	54
300	400	SEXPIASTRC30	500	100	54
350	450	SEXPIASTRC35	550	100	54
400	500	SEXPIASTRC40	600	100	54
450	550	SEXPIASTRC45	650	100	54
500	600	SEXPIASTRC50	700	100	54

DOPPIA PARETE - DOUBLE WALL AISI 316L



SEXPIASIC...

Piastra intermedia.

Intermediate anchor plate.



SEXPIASICDM... *

Piastra intermedia mono - doppia.

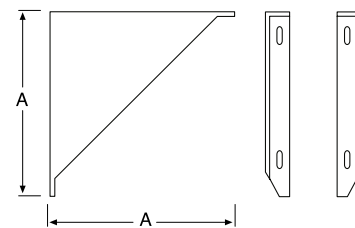
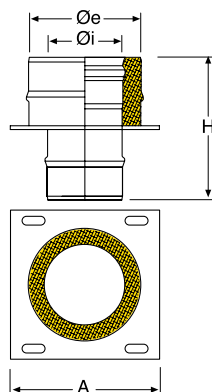
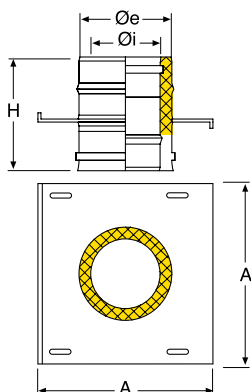
Intermediate anchor plate single - double.



SEXCSDP...

Coppia di supporti per piastra.

Cantilever brackets (pair).



Øi	Øe	COD.	A	H
80	180	SEXPIASIC08	280	190
100	200	SEXPIASIC10	300	190
130	230	SEXPIASIC13	330	190
150	250	SEXPIASIC15	350	190
180	280	SEXPIASIC18	380	190
200	300	SEXPIASIC20	400	190
250	350	SEXPIASIC25	450	190
300	400	SEXPIASIC30	500	190
350	450	SEXPIASIC35	550	190
400	500	SEXPIASIC40	600	190
450	550	SEXPIASIC45	650	190
500	600	SEXPIASIC50	700	190

Øi	Øe	COD.	A	H
80	180	SEXPIASICDM08	280	190
100	200	SEXPIASICDM10	300	190
130	230	SEXPIASICDM13	330	190
150	250	SEXPIASICDM15	350	190
180	280	SEXPIASICDM18	380	190
200	300	SEXPIASICDM20	400	190
250	350	SEXPIASICDM25	450	190
300	400	SEXPIASICDM30	500	190
350	450	SEXPIASICDM35	550	190
400	500	SEXPIASICDM40	600	190
450	550	SEXPIASICDM45	650	190
500	600	SEXPIASICDM50	700	190

Øi	Øe	COD.	A
80	180	SEXCSDP08	280
100	200	SEXCSDP10	300
130	230	SEXCSDP13	330
150	250	SEXCSDP15	350
180	280	SEXCSDP18	380
200	300	SEXCSDP20	400
250	350	SEXCSDP25	450
300	400	SEXCSDP30	500
350	450	SEXCSDP35	550
400	500	SEXCSDP40	600
450	550	SEXCSDP45	650
500	600	SEXCSDP50	700

* A richiesta
On request

SDW50



SEXTAPDP4C...

Scarico condensa.

Tee cap with condense drain.



SEXTC...

Tappo cieco.

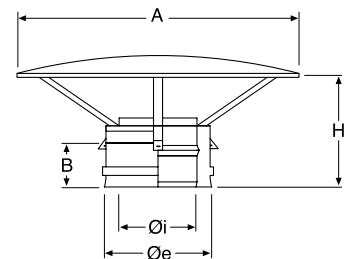
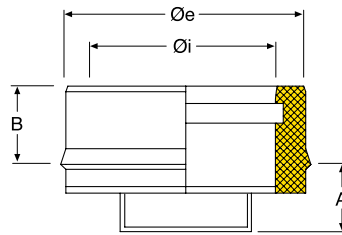
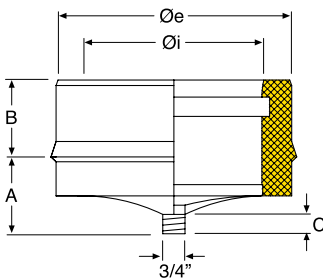
Tee cap.



SEXCCDPC...

Cappello cinese.

Rain cap.



Øi	Øe	COD.	A	B	C
80	180	SEXTAPDP4C08	65	54	12
100	200	SEXTAPDP4C10	65	54	12
130	230	SEXTAPDP4C13	65	54	12
150	250	SEXTAPDP4C15	65	54	12
180	280	SEXTAPDP4C18	65	54	12
200	300	SEXTAPDP4C20	65	54	12
250	350	SEXTAPDP4C25	65	54	12
300	400	SEXTAPDP4C30	65	54	12
350	450	SEXTAPDP4C35	65	54	12
400	500	SEXTAPDP4C40	65	54	12
450	550	SEXTAPDP4C45	65	54	12
500	600	SEXTAPDP4C50	65	54	12

Øi	Øe	COD.	A	B
80	180	SEXTC08	55	54
100	200	SEXTC10	55	54
130	230	SEXTC13	55	54
150	250	SEXTC15	55	54
180	280	SEXTC18	55	54
200	300	SEXTC20	55	54
250	350	SEXTC25	55	54
300	400	SEXTC30	55	54
350	450	SEXTC35	55	54
400	500	SEXTC40	55	54
450	550	SEXTC45	55	54
500	600	SEXTC50	55	54

Øi	Øe	COD.	A	B	H
80	180	SEXCCDPC08	265	65	225
100	200	SEXCCDPC10	265	65	235
130	230	SEXCCDPC13	320	65	255
150	250	SEXCCDPC15	320	65	260
180	280	SEXCCDPC18	400	65	285
200	300	SEXCCDPC20	400	65	310
250	350	SEXCCDPC25	500	65	310
300	400	SEXCCDPC30	600	65	310
350	450	SEXCCDPC35	720	65	310
400	500	SEXCCDPC40	720	65	330
450	550	SEXCCDPC45	850	65	330
500	600	SEXCCDPC50	850	65	350

DOPPIA PARETE - DOUBLE WALL AISI 316L



SEXTADPC...

Terminale anti intemperie.

Anti draught terminal.



SEXTTCDCPC...

Terminale tronco conico.

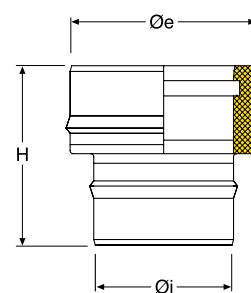
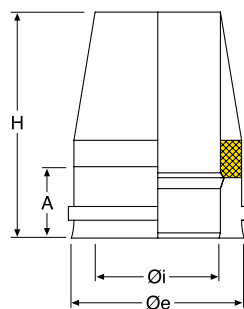
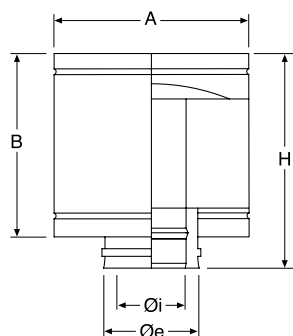
Venturi cone terminal.



SEXRCIDP...

Raccordo ingresso mono - doppia (raccordo per caldaia).

Adaptor from single to double wall (boiler adaptor).



Øi	Øe	COD.	A	B	H
80	180	SEXTADPC08	222	165	325
100	200	SEXTADPC10	260	200	375
130	230	SEXTADPC13	303	200	405
150	250	SEXTADPC15	310	250	405
180	280	SEXTADPC18	370	250	405
200	300	SEXTADPC20	418	250	405
250	350	SEXTADPC25	468	310	405
300	400	SEXTADPC30	530	310	405
350	450	SEXTADPC35	700	330	405
400	500	SEXTADPC40	800	330	405
450	550	SEXTADPC45	900	330	405
500	600	SEXTADPC50	1000	360	405

Øi	Øe	COD.	A	H
80	180	SEXTTCDCPC08	65	200
100	200	SEXTTCDCPC10	65	200
130	230	SEXTTCDCPC13	65	200
150	250	SEXTTCDCPC15	65	200
180	280	SEXTTCDCPC18	65	200
200	300	SEXTTCDCPC20	65	200
250	350	SEXTTCDCPC25	65	200
300	400	SEXTTCDCPC30	65	200
350	450	SEXTTCDCPC35	65	290
400	500	SEXTTCDCPC40	65	290
450	550	SEXTTCDCPC45	65	290
500	600	SEXTTCDCPC50	65	290

Øi	Øe	COD.	H
80	180	SEXRCIDP08	160
100	200	SEXRCIDP10	160
130	230	SEXRCIDP13	160
150	250	SEXRCIDP15	160
180	280	SEXRCIDP18	160
200	300	SEXRCIDP20	160
250	350	SEXRCIDP25	160
300	400	SEXRCIDP30	160
350	450	SEXRCIDP35	160
400	500	SEXRCIDP40	160
450	550	SEXRCIDP45	160
500	600	SEXRCIDP50	160



SEXGIUDMC...

Raccordo uscita doppia - mono.

Adaptor from double to single wall.



SEXFALDPC...

Faldale piano inox.

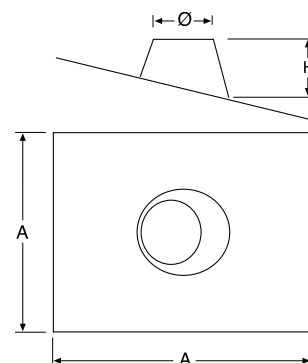
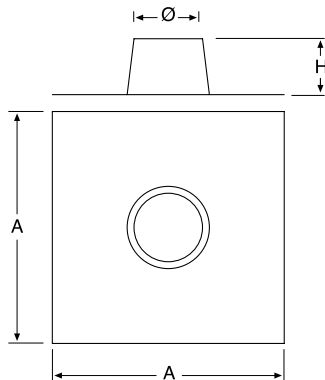
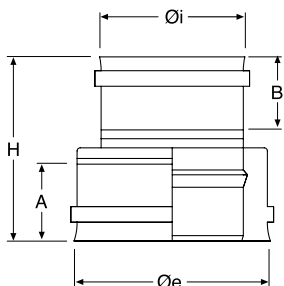
Flat stainless steel flashing.



SEXFALDR5C...

Faldale regolabile da 5° a 30° con base inox.

Adjustable stainless steel flashing from 5° to 30°.



Øi	Øe	COD.	A	B	H
80	180	SEXGIUDMC08	65	65	160
100	200	SEXGIUDMC10	65	65	160
130	230	SEXGIUDMC13	65	65	160
150	250	SEXGIUDMC15	65	65	160
180	280	SEXGIUDMC18	65	65	160
200	300	SEXGIUDMC20	65	65	160
250	350	SEXGIUDMC25	65	65	160
300	400	SEXGIUDMC30	65	65	160
350	450	SEXGIUDMC35	65	65	160
400	500	SEXGIUDMC40	65	65	160
450	550	SEXGIUDMC45	65	65	160
500	600	SEXGIUDMC50	65	65	160

Øi	Øe	COD.	A	H
80	180	SEXFALDPC08	500	170
100	200	SEXFALDPC10	600	180
130	230	SEXFALDPC13	600	210
150	250	SEXFALDPC15	600	210
180	280	SEXFALDPC18	600	220
200	300	SEXFALDPC20	650	230
250	350	SEXFALDPC25	680	230
300	400	SEXFALDPC30	700	200
350	450	SEXFALDPC35	900	200
400	500	SEXFALDPC40	950	200
450	550	SEXFALDPC45	1000	200
500	600	SEXFALDPC50	1100	200

Øi	Øe	COD.	A	H
80	180	SEXFALDR5C08	500	170
100	200	SEXFALDR5C10	500	180
130	230	SEXFALDR5C13	600	210
150	250	SEXFALDR5C15	600	210
180	280	SEXFALDR5C18	600	210
200	300	SEXFALDR5C20	650	230
250	350	SEXFALDR5C25	680	230
300	400	SEXFALDR5C30	700	200
350	450	SEXFALDR5C35	850	200
400	500	SEXFALDR5C40	900	200
450	550	SEXFALDR5C45	950	200
500	600	SEXFALDR5C50	1100	330

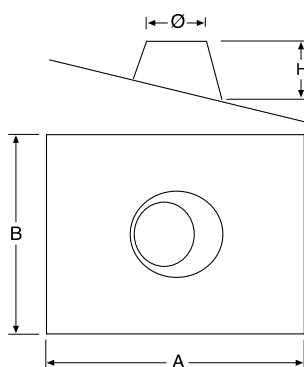
DOPPIA PARETE - DOUBLE WALL AISI 316L



SEXFALDR3C...

Faldale regolabile da 30° a 45° con base in inox.

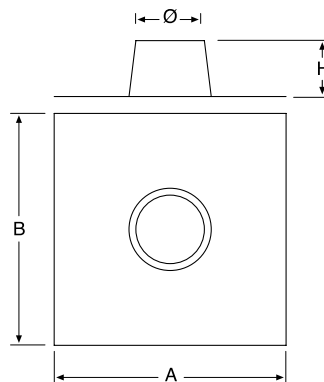
Adjustable stainless steel flashing from 30° to 45°.



BFL304AFPPSS...

Faldale piano con base in alluminio.

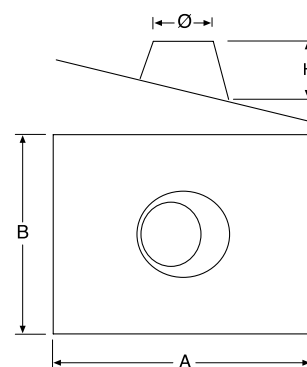
Flat flashing with aluminum base.



BFL304AFPS5S...

Faldale regolabile da 5° a 30° con base in alluminio.

Adjustable flashing from 5° to 30° with aluminum base.



Øi	Øe	COD.	A	B	H
80	180	SEXFALDR3C08	650	750	170
100	200	SEXFALDR3C10	650	750	180
130	230	SEXFALDR3C13	650	750	210
150	250	SEXFALDR3C15	650	750	210
180	280	SEXFALDR3C18	750	850	210
200	300	SEXFALDR3C20	750	850	230
250	350	SEXFALDR3C25	800	850	230
300	400	SEXFALDR3C30	850	850	200
350	450	SEXFALDR3C35	900	850	200
400	500	SEXFALDR3C40	950	900	200
450	550	SEXFALDR3C45	950	950	200
500	600	SEXFALDR3C50	1100	1100	330

Øi	Øe	COD.	A	B	H
80	180	BFL304AFPPSS18	750	450	170
100	200	BFL304AFPPSS20	750	450	180
130	230	BFL304AFPPSS23	850	550	210
150	250	BFL304AFPPSS25	850	550	210
180	280	BFL304AFPPSS28	1000	650	210
200	300	BFL304AFPPSS30	1000	650	230
250	350	BFL304AFPPSS35	1000	650	230
300	400	BFL304AFPPSS40	1000	750	200
350	450	BFL304AFPPSS45	1000	1000	200
400	500	BFL304AFPPSS50	1000	1000	200
450	550	BFL304AFPPSS55	1000	1000	200
500	600	BFL304AFPPSS60	1000	1000	200

Øi	Øe	COD.	A	B	H
80	180	BFL304AFPS5S18	1000	650	170
100	200	BFL304AFPS5S20	1000	650	180
130	230	BFL304AFPS5S23	1000	650	210
150	250	BFL304AFPS5S25	1000	650	210
180	280	BFL304AFPS5S28	1000	750	210
200	300	BFL304AFPS5S30	1000	750	230
250	350	BFL304AFPS5S35	1000	750	230
300	400	BFL304AFPS5S40	1000	1000	200
350	450	BFL304AFPS5S45	1000	1000	200
400	500	BFL304AFPS5S50	1000	1000	200
450	550	BFL304AFPS5S55	1000	1000	200
500	600	#	#	#	#

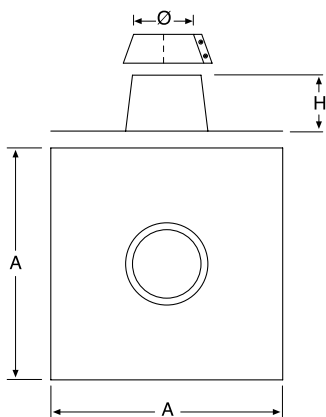
Non disponibile
Not available



SBFEXFALDPCF...

Faldale piano con base inox e fascetta anti intemperie.

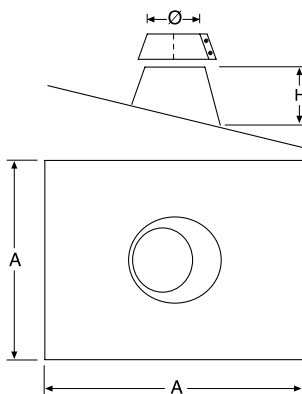
Flat stainless steel flashing with storm collar.



SBFEXFALDRP5C...

Faldale regolabile da 5° a 30° con base in piombo e fascetta anti intemperie.

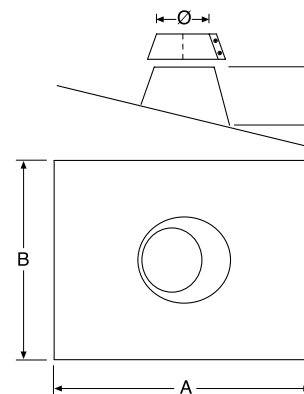
Adjustable flashing from 5° to 30° with lead base and storm collar.



SBFEXFALDRP3C...

Faldale regolabile da 30° a 45° con base in piombo e fascetta anti intemperie.

Adjustable flashing from 30° to 45° with lead base and storm collar.



Øi	Øe	COD.	A	H
80	180	SBFEXFALDPCF08	500	170
100	200	SBFEXFALDPCF10	600	180
130	230	SBFEXFALDPCF13	600	210
150	250	SBFEXFALDPCF15	600	210
180	280	SBFEXFALDPCF18	600	220
200	300	SBFEXFALDPCF20	650	230
250	350	SBFEXFALDPCF25	680	230
300	400	SBFEXFALDPCF30	700	200
350	450	SBFEXFALDPCF35	900	200
400	500	SBFEXFALDPCF40	950	200
450	550	SBFEXFALDPCF45	1000	200
500	600	SBFEXFALDPCF50	1100	200

Øi	Øe	COD.	A	H
80	180	SBFEXFALRP5C08	500	170
100	200	SBFEXFALRP5C10	500	180
130	230	SBFEXFALRP5C13	600	210
150	250	SBFEXFALRP5C15	600	210
180	280	SBFEXFALRP5C18	600	210
200	300	SBFEXFALRP5C20	650	230
250	350	SBFEXFALRP5C25	680	230
300	400	SBFEXFALRP5C30	700	200
350	450	SBFEXFALRP5C35	850	200
400	500	SBFEXFALRP5C40	900	200
450	550	SBFEXFALRP5C45	950	200
500	600	#	#	#

Øi	Øe	COD.	A	B	H
80	180	SBFEXFALRP3C08	650	750	170
100	200	SBFEXFALRP3C10	650	750	180
130	230	SBFEXFALRP3C13	650	750	210
150	250	SBFEXFALRP3C15	650	750	210
180	280	SBFEXFALRP3C18	750	850	210
200	300	SBFEXFALRP3C20	750	850	230
250	350	SBFEXFALRP3C25	800	850	230
300	400	SBFEXFALRP3C30	850	850	200
350	450	SBFEXFALRP3C35	900	850	200
400	500	SBFEXFALRP3C40	950	900	200
450	550	SBFEXFALRP3C45	950	950	200
500	600	#	#	#	#

Non disponibile
Not available

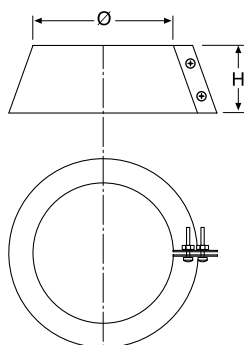
DOPPIA PARETE - DOUBLE WALL AISI 316L



SEXFASCAC...

Fascetta anti intemperie.

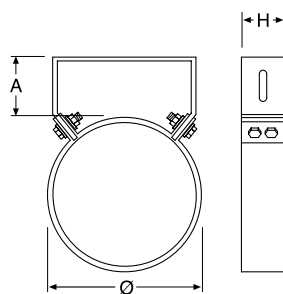
Storm collar.



SEXCOLC...

Collare a muro.

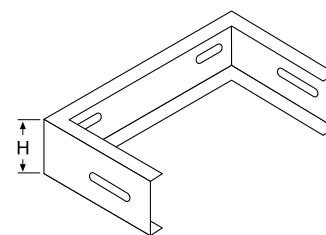
Wall bracket.



SEXDISC...

Distanziale per collare a muro.

Extension for wall bracket single wall.



Øi	Øe	COD.	H
80	180	SEXFASCAC08	100
100	200	SEXFASCAC10	100
130	230	SEXFASCAC13	100
150	250	SEXFASCAC15	100
180	280	SEXFASCAC18	100
200	300	SEXFASCAC20	100
250	350	SEXFASCAC25	100
300	400	SEXFASCAC30	100
350	450	SEXFASCAC35	100
400	500	SEXFASCAC40	100
450	550	SEXFASCAC45	100
500	600	SEXFASCAC50	100

Øi	Øe	COD.	A	H
80	180	SEXCOLC08	50	40
100	200	SEXCOLC10	50	40
130	230	SEXCOLC13	50	40
150	250	SEXCOLC15	50	40
180	280	SEXCOLC18	50	40
200	300	SEXCOLC20	50	40
250	350	SEXCOLC25	50	40
300	400	SEXCOLC30	50	100
350	450	SEXCOLC35	50	100
400	500	SEXCOLC40	50	100
450	550	SEXCOLC45	50	100
500	600	#	#	#

Øi	Øe	COD.	H
80	180	SEXDISC08	40
100	200	SEXDISC10	40
130	230	SEXDISC13	40
150	250	SEXDISC15	40
180	280	SEXDISC18	40
200	300	SEXDISC20	40
250	350	SEXDISC25	40
300	400	SEXDISC30	100
350	450	SEXDISC35	100
400	500	SEXDISC40	100
450	550	SEXDISC45	100
500	600	SEXDISC50	100

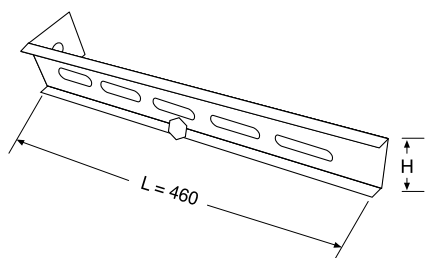
Non disponibile
Not available



L316EXDCM

Distanziale universale per collare a muro (coppia) L = 460 mm. Compreso di bulloneria.

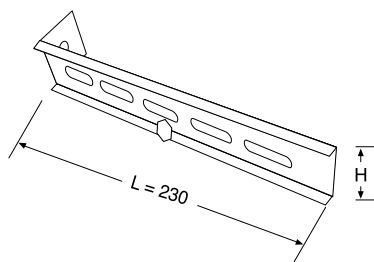
Universal distance piece for wall bracket (pair) L = 460 mm. Including bolts.



DCMC

Distanziale universale per collare a muro (coppia) L = 230 mm. Compreso di bulloneria.

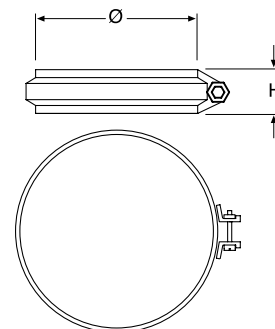
Universal distance piece for wall bracket (pair) L = 230 mm. Including bolts.



SEXFASDC...

Fascetta di sicurezza.

Locking band.

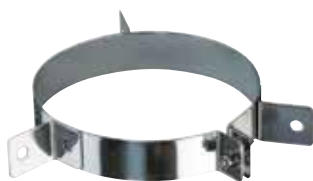


Øi	Øe	COD.	H
80	180	L316EXDCM	40
100	200	L316EXDCM	40
130	230	L316EXDCM	40
150	250	L316EXDCM	40
180	280	L316EXDCM	40
200	300	L316EXDCM	40
250	350	L316EXDCM	40
300	400	L316EXDCM	100
350	450	DCMH100	100
400	500	DCMH100	100
450	550	DCMH100	100
500	600	DCMH100	100

Øi	Øe	COD.	H
80	180	DCMC	40
100	200	DCMC	40
130	230	DCMC	40
150	250	DCMC	40
180	280	DCMC	40
200	300	DCMC	40
250	350	DCMC	40
300	400	DCMC	100
350	450	DCMCH100	100
400	500	DCMCH100	100
450	550	DCMCH100	100
500	600	DCMCH100	100

Øi	Øe	COD.	H
80	180	SEXFASDC08	30
100	200	SEXFASDC10	30
130	230	SEXFASDC13	30
150	250	SEXFASDC15	30
180	280	SEXFASDC18	30
200	300	SEXFASDC20	30
250	350	SEXFASDC25	30
300	400	SEXFASDC30	30
350	450	SEXFASDC35	30
400	500	SEXFASDC40	30
450	550	SEXFASDC45	30
500	600	SEXFASDC50	42

DOPPIA PARETE - DOUBLE WALL AISI 316L



SEXCOLTC...

Collare per cavi tiranti.

Guy wire bracket.



L316EX3LGN...

Guarnizione di tenuta in silicone nero.

Silicon black seal.

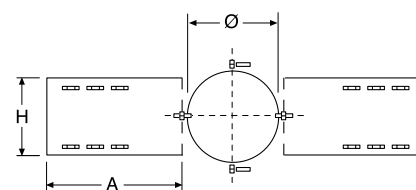
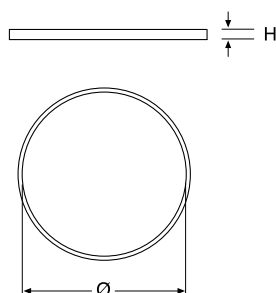
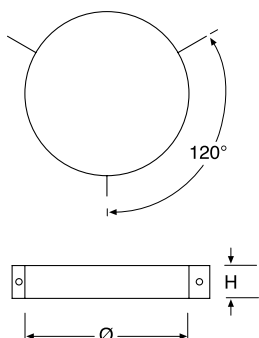


SBFEXST...

Supporto a tetto.

Roof support.

SDW50



Øi	Øe	COD.	H
80	180	SEXCOLTC08	40
100	200	SEXCOLTC10	40
130	230	SEXCOLTC13	40
150	250	SEXCOLTC15	40
180	280	SEXCOLTC18	40
200	300	SEXCOLTC20	40
250	350	SEXCOLTC25	40
300	400	SEXCOLTC30	40
350	450	SEXCOLTC35	40
400	500	SEXCOLTC40	40
450	550	SEXCOLTC45	40
500	600	SEXCOLTC50	40

Øi	Øe	COD.	H
80	180	L316EX3LGN08	10
100	200	L316EX3LGN10	10
130	230	L316EX3LGN13	10
150	250	L316EX3LGN15	10
180	280	L316EX3LGN18	10
200	300	L316EX3LGN20	10
250	350	L316EX3LGN25	10
300	400	L316EX3LGN30	10
350	450	Ø 300 L316EX3LGN30	10
400	500	Ø 350 L316EX3LGN35	10
450	550	Ø 350 L316EX3LGN35	10
500	600	Ø 450 L316EX3LGN45	10

Øi	Øe	COD.	A	H
80	180	SBFEXST08	300	180
100	200	SBFEXST10	300	180
130	230	SBFEXST13	300	180
150	250	SBFEXST15	300	180
180	280	SBFEXST18	300	180
200	300	SBFEXST20	300	180
250	350	SBFEXST25	300	180
300	400	SBFEXST30	300	180
350	450	#	#	#
400	500	#	#	#
450	550	#	#	#
500	600	#	#	#



LUBGN

Lubrificante per guarnizione.
Lubricant for seal.

COD.

LUBGN

* A richiesta
On request

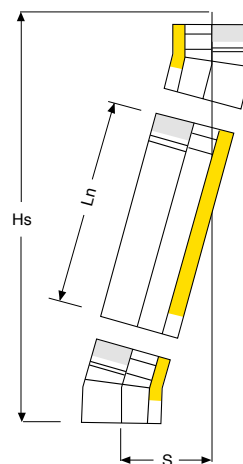
Non disponibile
Not available

DISASSAMENTO - CENTER OFFSET

DISASSAMENTO CON DOPPIA CURVA 15° CENTER OFFSET WITH DOUBLE 15° ELBOW

15°

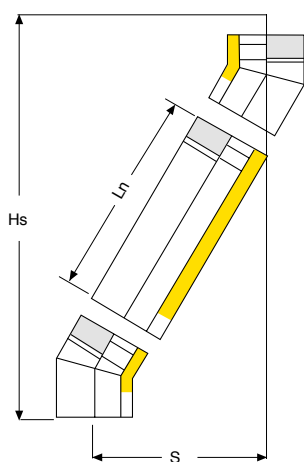
DOPPIA PARETE DOUBLE WALL SDW50 Ø	0 m = E		0,25 m		0,33 m		0,50 m		1 m	
	S	Hs	S	Hs	S	Hs	S	Hs	S	Hs
80	41	308	89	490	109	567	151	730	276	1210
100	41	314	89	496	109	573	151	736	276	1216
130	42	321	90	503	110	580	152	743	277	1223
150	43	326	91	508	111	585	153	748	278	1228
180	44	334	92	516	112	593	154	756	279	1236
200	45	339	93	521	113	598	155	761	280	1241
250	46	352	94	534	114	611	156	774	281	1254
300	48	365	96	547	116	624	158	787	283	1267
350	50	378	98	560	118	637	160	800	285	1280
400	52	391	100	573	120	650	162	813	287	1293
450	53	404	101	586	121	663	163	826	288	1306
500	55	417	103	599	123	676	165	839	290	1319
550	57	430	105	612	125	689	167	852	292	1332
600	58	443	106	625	126	702	168	865	293	1345



$$(Ln \times 0,707) + E = S$$

DISASSAMENTO CON DOPPIA CURVA 30° CENTER OFFSET WITH DOUBLE 30° ELBOW

30°



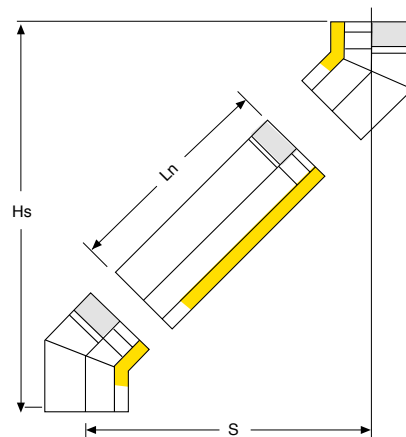
$$(Ln \times 0,707) + E = S$$

DOPPIA PARETE DOUBLE WALL SDW50 Ø	0 m = E		0,25 m		0,33 m		0,50 m		1 m	
	S	Hs	S	Hs	S	Hs	S	Hs	S	Hs
80	90	336	185	499	225	568	310	714	560	1144
100	93	346	188	509	323	742	313	724	563	1154
130	97	361	192	524	327	757	317	739	567	1169
150	100	371	195	534	330	767	320	749	570	1179
180	104	386	199	549	334	782	324	764	574	1194
200	106	396	201	559	336	792	326	774	576	1204
250	113	421	208	584	343	817	333	799	583	1229
300	120	446	215	609	350	842	340	824	590	1254
350	126	471	221	634	356	867	346	849	596	1279
400	133	496	228	659	363	892	353	874	603	1304
450	140	521	235	684	370	917	360	899	610	1329
500	146	546	241	709	376	942	366	924	616	1354
550	153	571	248	734	383	967	373	949	623	1379
600	160	596	255	759	390	992	380	974	630	1404

DISASSAMENTO CON DOPPIA CURVA 45° CENTER OFFSET WITH DOUBLE 45° ELBOW

45°

DOPPIA PARETE DOUBLE WALL SDW50 Ø	0 m = E		0,25 m		0,33 m		0,50 m		1 m	
	S	Hs	S	Hs	S	Hs	S	Hs	S	Hs
80	147	354	281	488	338	545	458	665	812	1019
100	153	369	287	503	344	560	464	680	818	1034
130	161	390	295	524	352	581	472	701	826	1055
150	167	404	301	538	358	595	478	715	832	1069
180	176	425	310	559	367	616	487	736	841	1090
200	182	439	316	573	373	630	493	750	847	1104
250	197	475	331	609	388	666	508	786	862	1140
300	211	510	345	644	402	701	522	821	876	1175
350	226	545	360	679	417	736	537	856	891	1210
400	241	581	375	715	432	772	552	892	906	1246
450	255	616	389	750	446	807	566	927	920	1281
500	270	651	404	785	461	842	581	962	935	1316
550	284	687	418	821	475	878	595	998	949	1352
600	299	722	433	856	490	913	610	1033	964	1387



$$(Ln \times 0,707) + E = S$$

1 m Ln = 940 mm
0,50 m Ln = 440 mm
0,33 m Ln = 270 mm
0,25 m Ln = 190 mm