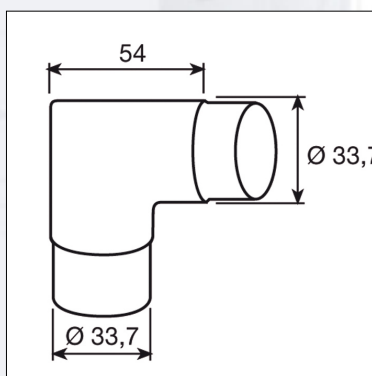


ANGLES AND BENDS

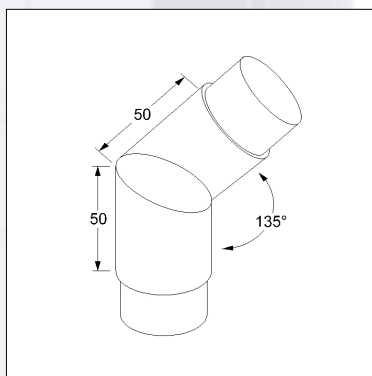
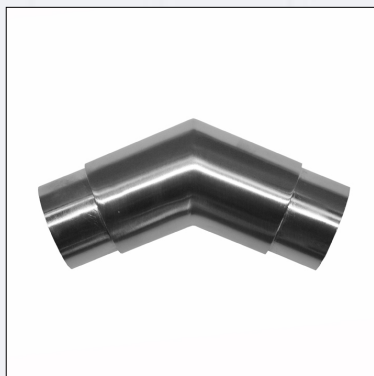
COD.

EX170 ANGLE Ø 42,4 mm.- STAINLESS STEEL AISI 304 SATIN FINISH



COD.

EX171 ANGLE Ø 33,7 mm. - STAINLESS STEEL AISI 304 SATIN FINISH



COD.

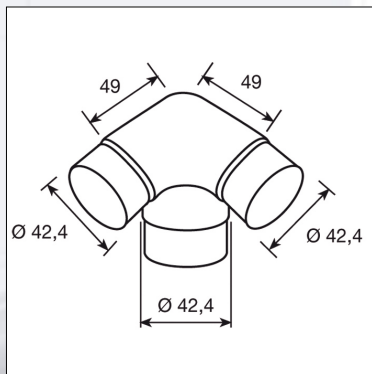
EX175 ANGLE 45° Ø 42,4 - STAINLESS STEEL AISI 304 SATIN FINISH

The records, the specifics and the representations of the following catalogue are undemanding. Expo Inox S.p.A. reserves the right to introduce, at any time, the modifications that considers necessary.

www.expoinox.com

KIT

ExpoKit



ANGLES AND BENDS

COD.

EX190 THREE WAY ANGLE 42,2 dia. - STAINLESS STEEL AISI 304 SATIN FINISH

The records, the specifics and the representations of the following catalogue are undemanding. Expo Inox S.p.A. reserves the right to introduce, at any time, the modifications that considers necessary.

www.expoinox.com

KIT

ExpoKit