

Di	De	H	A	B
80	100	190	200	54
100	120	190	220	54
130	150	190	250	54
160	180	190	280	54
180	200	190	300	54
200	220	190	320	54
230	250	190	350	54

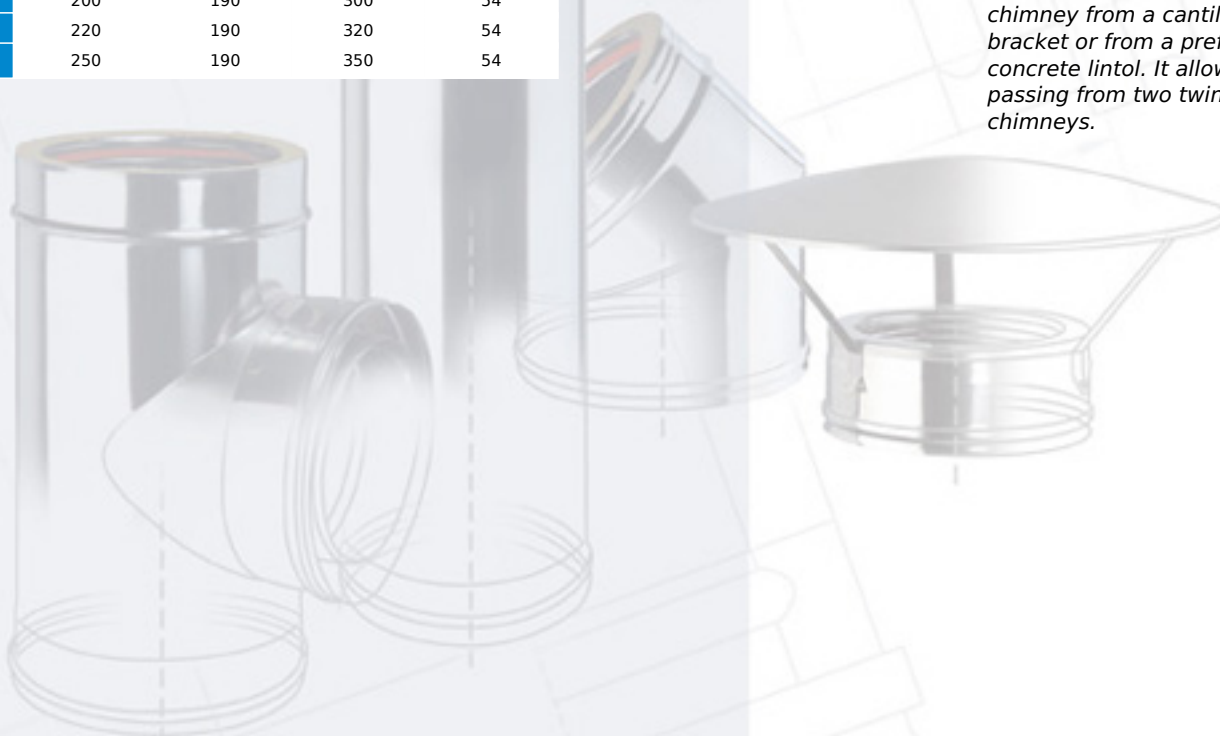


PLATES

AREXPIASIC..

**INTERMEDIATE ANCHOR
PLATE (WITHOUT
SUPPORTS) AIR
INSULATED 10mm -
INTERNAL STAINLESS
STEEL AISI 316L AND
EXTERNAL STAINLESS
STEEL ARABESQUE
COLOURED**

It allows the start of the chimney from a cantilever bracket or from a preformed concrete lintol. It allows the passing from two twin wall chimneys.



EN 1856-1 T200 P1 W V2 L50040 O20

The records, the specifics and the representations of the following catalogue are undemanding. Expo Inox S.p.A. reserves the right to introduce, at any time, the modifications that considers necessary.

www.expoinox.com

Kamini

Inox