

Dn	A	B	D
80	381	431	110
100	381	431	130
110	381	431	140
120	401	451	150
125	-	-	-
130	401	451	160
140	409	459	170
150	423	473	180
160	450	500	190
180	450	500	210
200	470	520	230
220	490	540	250
250	520	570	280
300	570	620	330
350	620	670	380
400	670	720	430
450	720	770	480
500	770	820	530

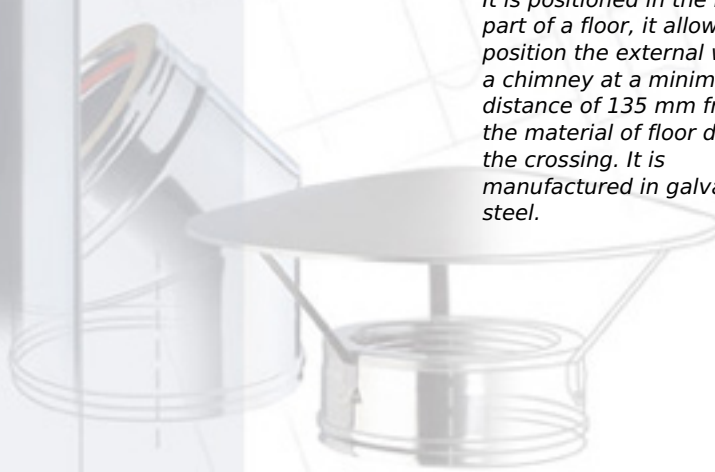


## FITTINGS

BFL316PTFI..

### LOWER FIRE STOP SPACER

*It is positioned in the lower part of a floor, it allows to position the external wall of a chimney at a minimum distance of 135 mm from the material of floor during the crossing. It is manufactured in galvanised steel.*



The records, the specifics and the representations of the following catalogue are undemanding. Expo Inox S.p.A. reserves the right to introduce, at any time, the modifications that considers necessary.

[www.expoinox.com](http://www.expoinox.com)

**Kamini**

Inox