

Di	De	Hmax	Hmin	A
80	100	390	257	54
100	120	390	257	54
130	150	390	257	54
160	180	390	257	54
180	200	390	257	54
200	220	390	257	54
230	250	390	257	54

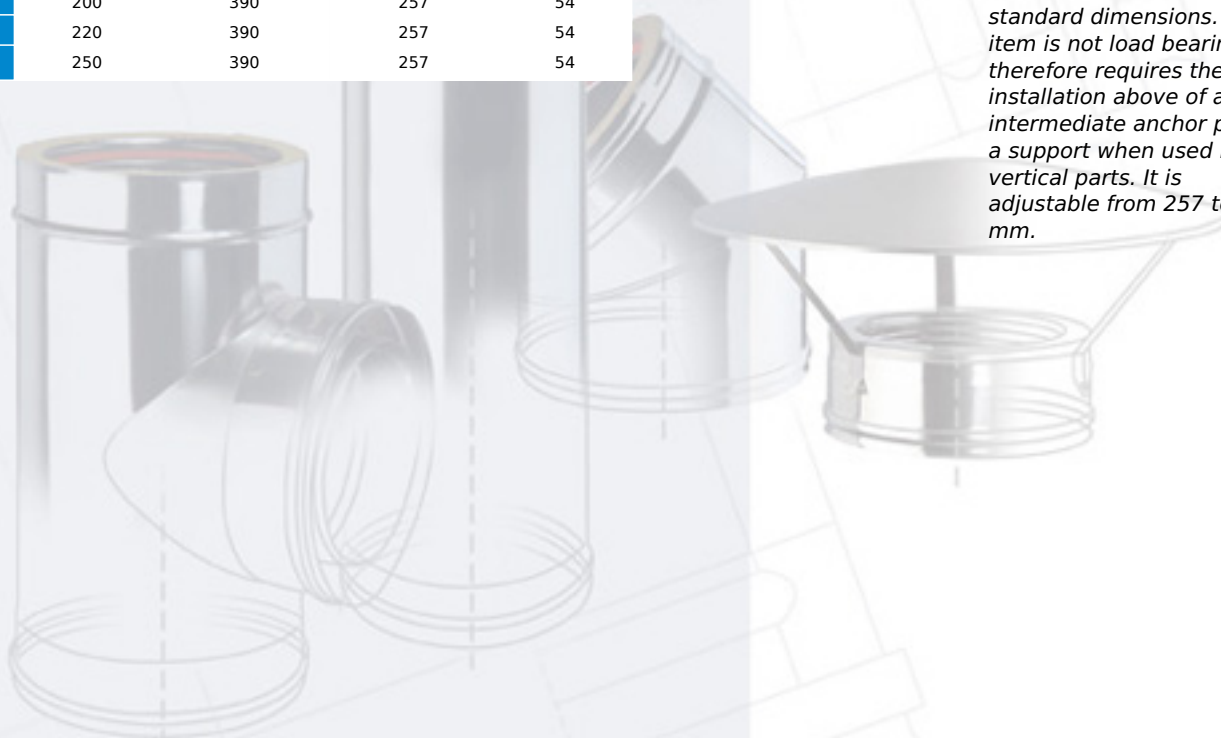


ELEMENTS

AREXETDP4C..

ADJUSTABLE PIPE AIR INSULATED 10mm - INTERNAL STAINLESS STEEL AISI 316L AND EXTERNAL STAINLESS STEEL ARABESQUE COLOURED

Used to achieved non standard dimensions. This item is not load bearing and therefore requires the installation above of a intermediate anchor plate as a support when used in vertical parts. It is adjustable from 257 to 390 mm.



EN 1856-1 T200 P1 W V2 L50040 O20

The records, the specifics and the representations of the following catalogue are undemanding. Expo Inox S.p.A. reserves the right to introduce, at any time, the modifications that considers necessary.

www.expoinox.com

Kamini

Inox