

Di	De	A	H
80	100	54	190
100	120	54	270

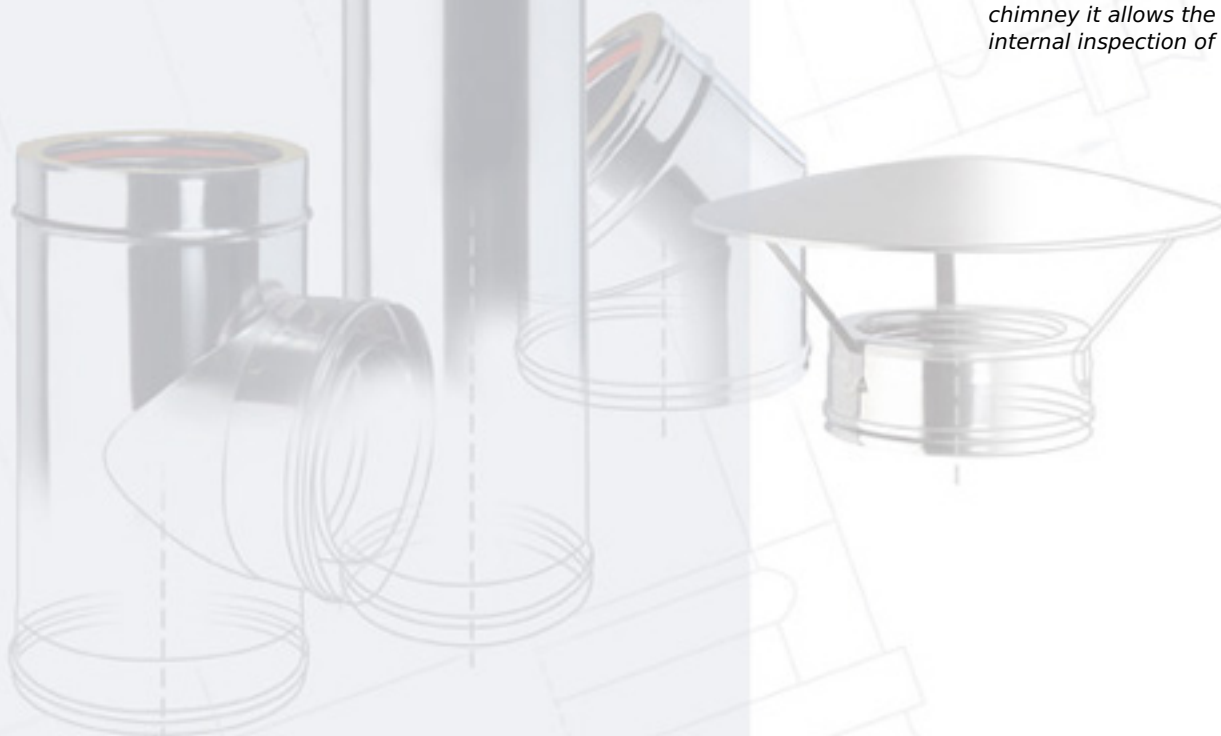


ELEMENTS

CPIPL50A..

**INTERMEDIATE SECTION
WITH TEST POINT - IN
POLYPROPYLENE (PPs)
COATED WITH EXTERNAL
NATURAL COPPER**

Placed at the base of the chimney it allows the internal inspection of it.



EN 14471 T120 P1 O W 2 O10 E C L0

The records, the specifics and the representations of the following catalogue are undemanding. Expo Inox S.p.A. reserves the right to introduce, at any time, the modifications that considers necessary.

www.expoinox.com

Kamini

Inox