

Di	De	H	A
80	100	145	91
100	120	150	96

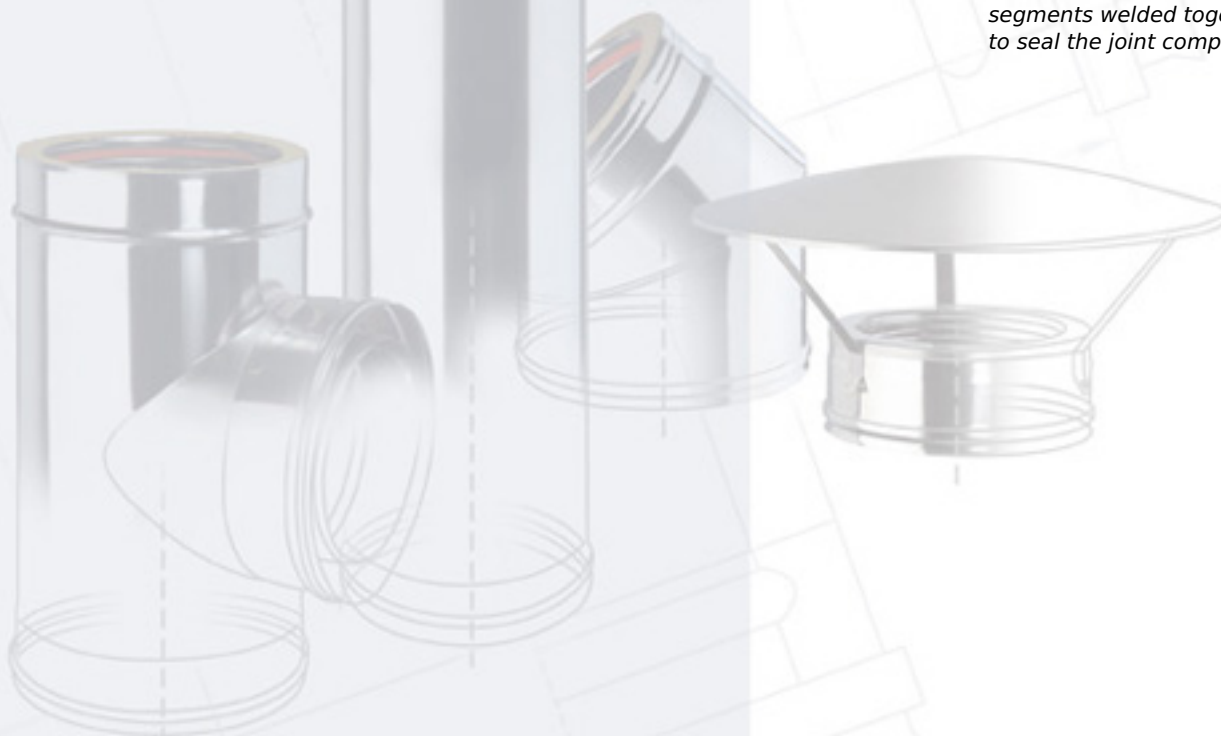


BENDS

CPIPL49A..

**87° BEND - IN
POLYPROPYLENE (PPs)
COATED WITH EXTERNAL
NATURAL COPPER**

*Construction of fixed
segments welded together
to seal the joint completely*



EN 14471 T120 P1 O W 2 O10 E C L0

The records, the specifics and the representations of the following catalogue are undemanding. Expo Inox S.p.A. reserves the right to introduce, at any time, the modifications that considers necessary.

www.expoinox.com

Kamini

Inox