

Di	De	H	A
80	100	145	91
100	120	150	96

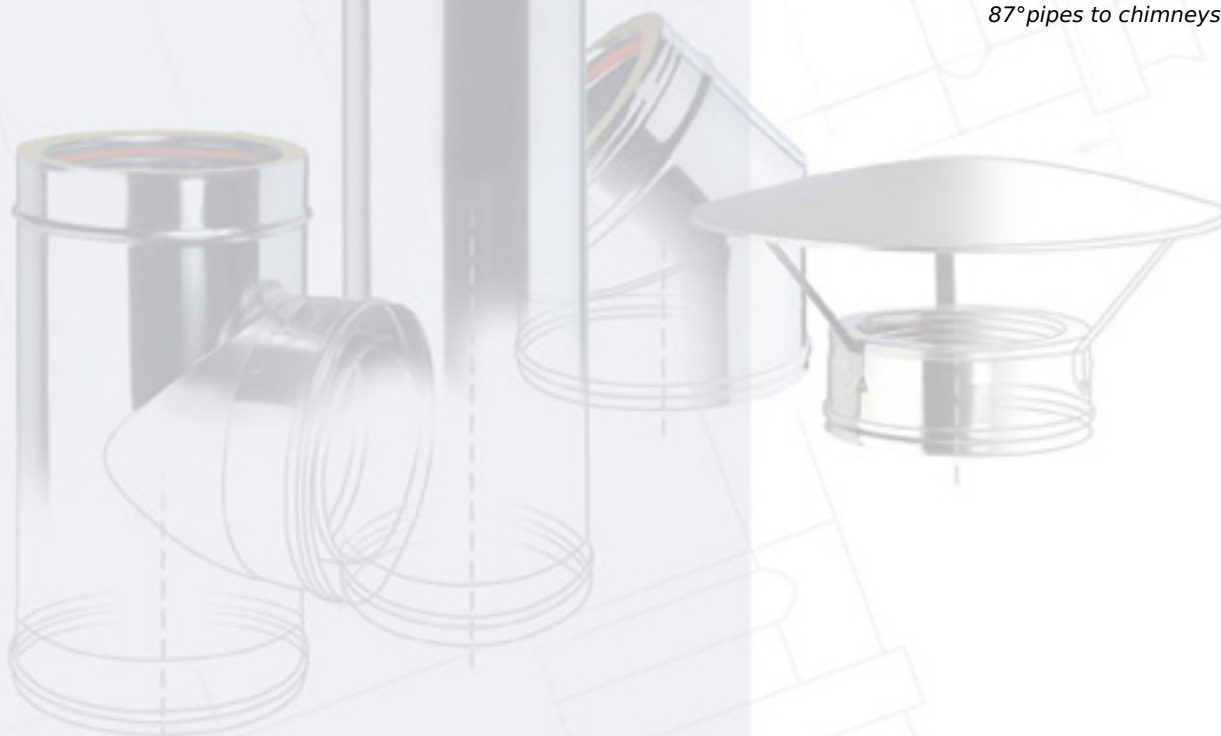


BENDS

IPL49A..

**87° BEND IN
POLYPROPYLENE (PPs)
COATED WITH EXTERNAL
IN STAINLESS STEEL**

*It allows deviation of
87° pipes to chimneys.*



EN 14471 T120 P1 O W 2 O10 E C L0

The records, the specifics and the representations of the following catalogue are undemanding. Expo Inox S.p.A. reserves the right to introduce, at any time, the modifications that considers necessary.

www.expoinox.com

Kamini

Inox