

Di	De	H	A	B
60	100	203	120	128
80	125	285	160	138

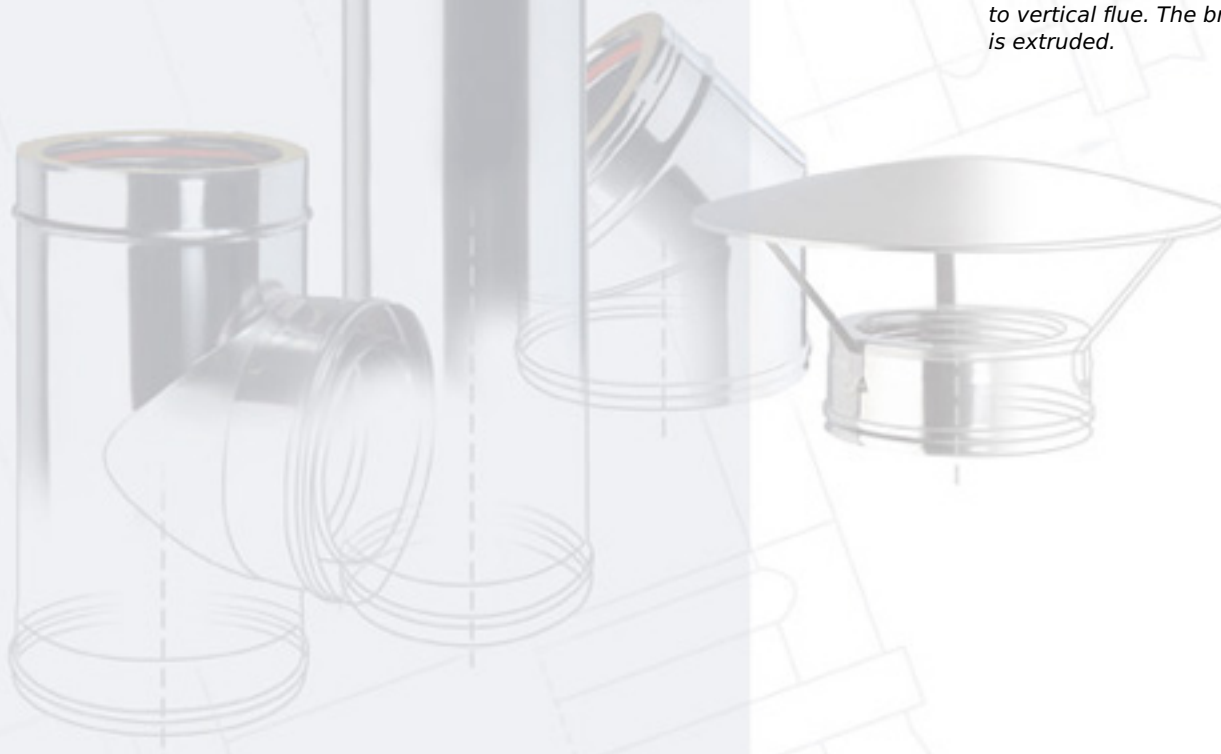


T-ELEMENTS

CPL55A..

**87° TEE CONCENTRIC -
POLYPROPYLENE (PPs)
AND EXTERNAL
STAINLESS STEEL AISI
304**

*Used to make a connection
to vertical flue. The branch
is extruded.*



EN 14471 T120 P1 O W 2 O10 E C L0

The records, the specifics and the representations of the following catalogue are undemanding. Expo Inox S.p.A. reserves the right to introduce, at any time, the modifications that considers necessary.

www.expoinox.com

Kamini

Inox