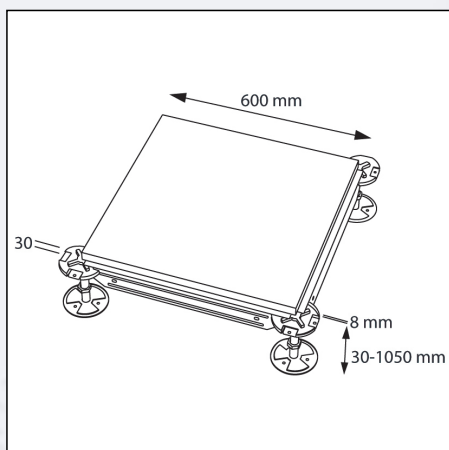


FLOOR

PAVDEC1

MODULAR ACCESS FLOOR (600x600 mm, THICKNESS 30mm) STAINLESS STEEL AISI 304, GALVANISED STEEL AND HIGH DENSITY CHIPBOARD

Tile composed of chipboard or calcium sulphate panels with a stainless steel (AISI 304) upper surface, the support structure consists of a height-adjustable metal structure and modular connecting side pieces. Modular access floor appropriate for internal use (offices, stores ecc.)



The records, the specifics and the representations of the following catalogue are undemanding. Expo Inox S.p.A. reserves the right to introduce, at any time, the modifications that considers necessary.

www.expoinox.com

inoxFloor