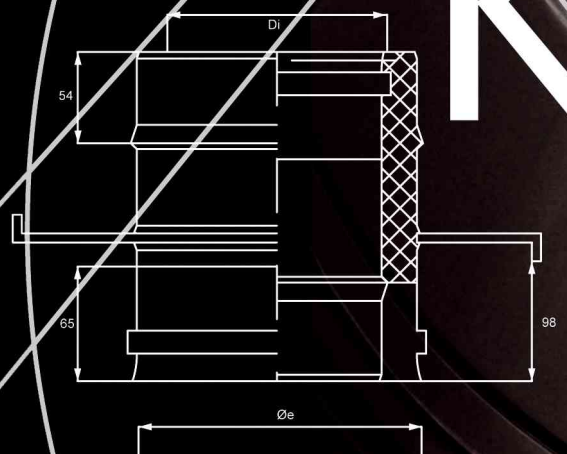
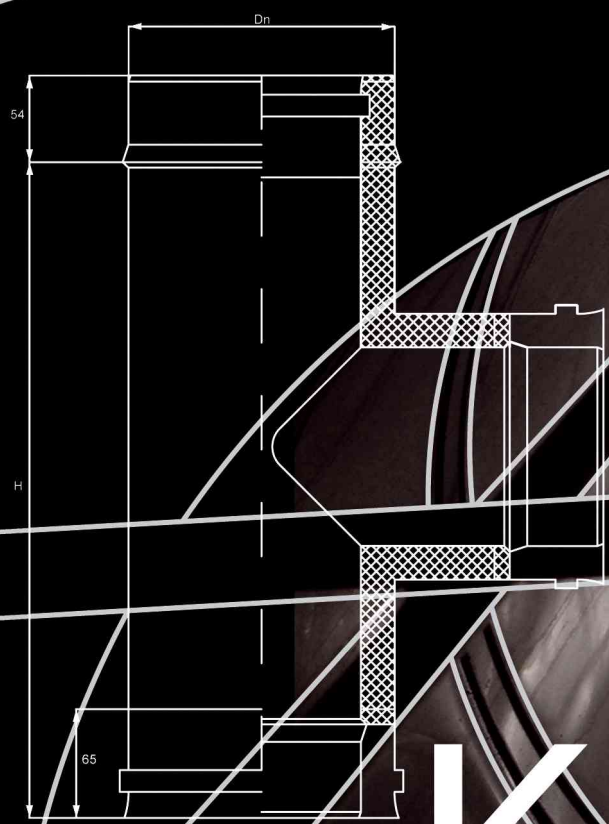
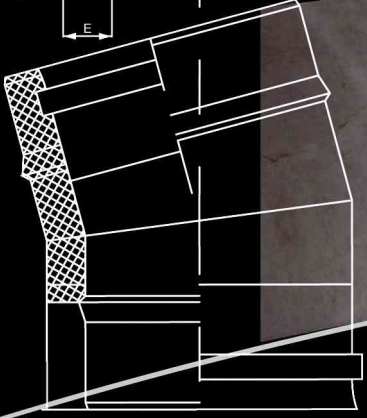
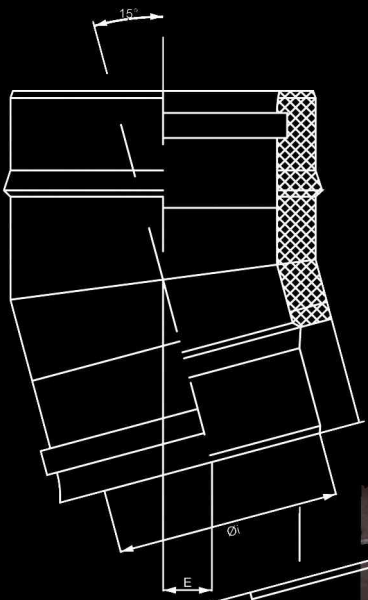


EXPO
INOX

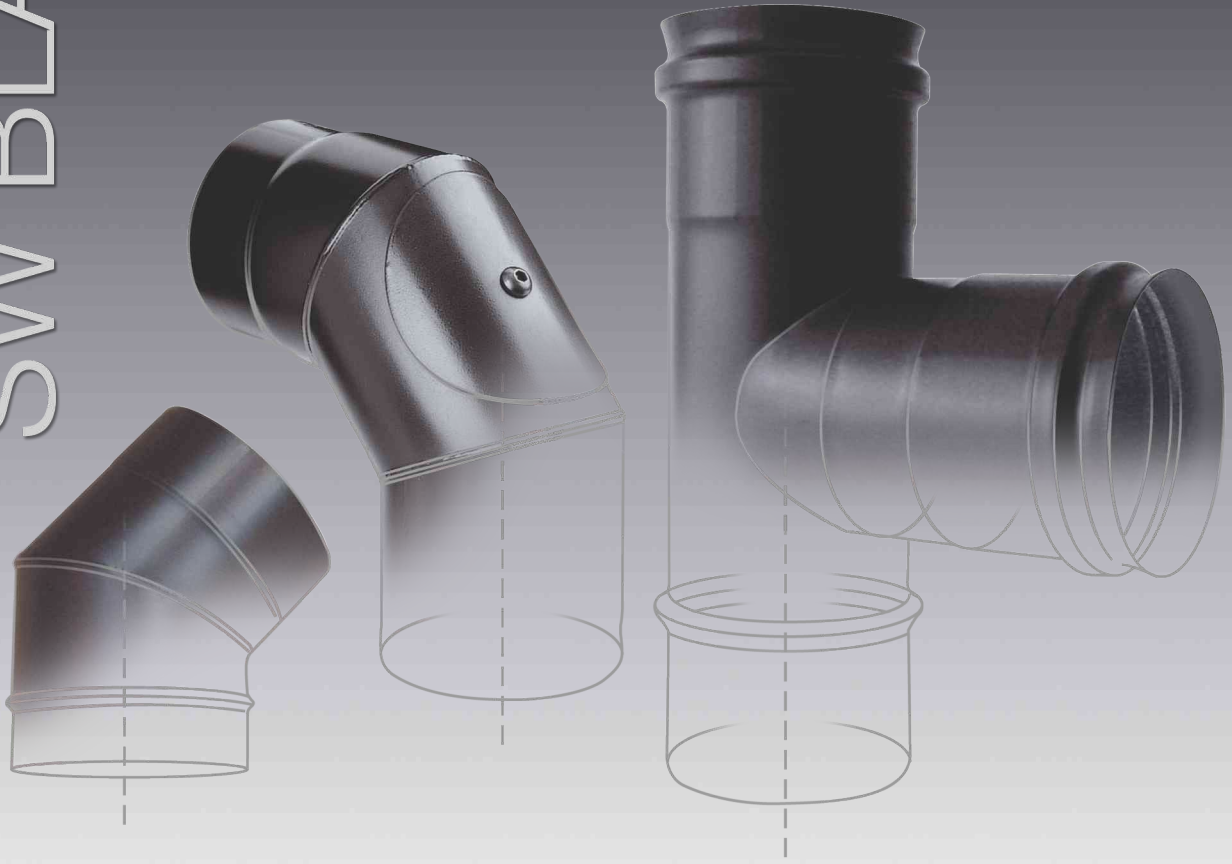


KAMINI

Türkçe
English
SW BLACK



SW BLACK

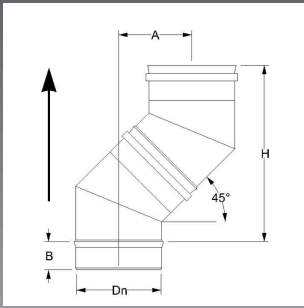




Tek Cidar Boyalı



NL316EXGA45X..

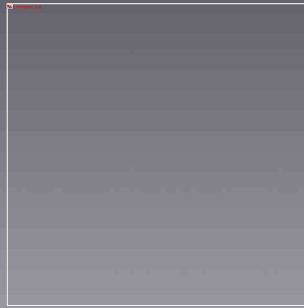
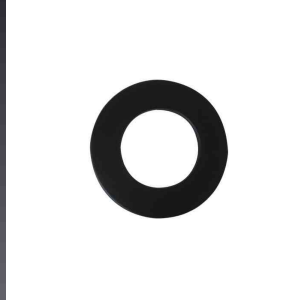


TEK CİDAR 45° DİRSEK (316L PASLANMAZ ÇELİK) - 550°C SICAKLIĞA DAYANMA GARANTİLİ OPAK SIYAH VERNİKLİ

45° FIXED BEND SINGLE WALL IN STAINLESS STEEL AISI 316L - MATT BLACK PAINT GUARANTEED UP TO 550°C

Dn	H	A	B
80	220	100	54
100	220	100	54
110	230	100	54
120	240	100	54
125	-	-	-
130	250	100	54
140	260	110	54
150	300	130	54
160	300	130	54
180	310	130	54
200	310	140	54
220	330	140	54
250	350	160	54
300	410	160	54

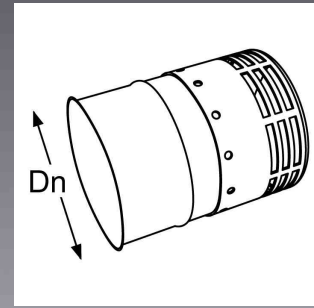
NL316EXROSAS..



NULL

WALL ROSETTE -SINGLE WALL IN STAINLESS STEEL AISI 316L - MATT BLACK PAINT GUARANTEED UP TO 550°C

NL316EXSCAFUM..



NULL

single wall KIR grill smokes drain 80 AISI 316L BA matt black high temperature

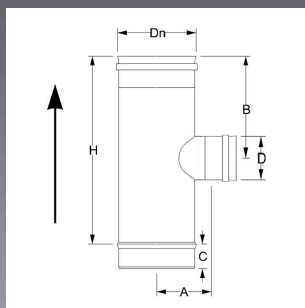
Dn	-
80	-
100	-



Tek Cidar Boyalı



NL316EXT69SUF..

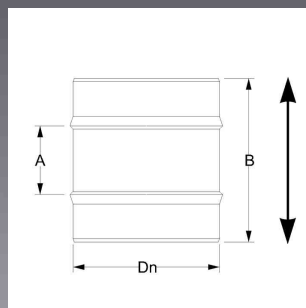


NULL

tee single wall 90° reducing to DN 80
single wall F. DN80 AISI 316L BA thickness
0,4 mm matt black

Dn	H	A	B	C
80	-			
100	270	100	162	54
110	270	105	162	54
120	270	110	162	54
125	270	115	162	54
130	270	115	162	54
140	270	120	162	54
150	270	125	162	54
160	270	130	162	54
180	270	140	162	54
200	440	150	247	54
220	440	160	247	54
250	440	175	247	54
300	440	200	247	54

NL316EXMMA..

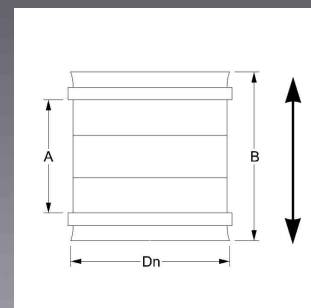


NULL

DOUBLE MALE ADAPTOR SINGLE WALL
IN STAINLESS STEEL AISI 316L - MATTE
BLACK PAINT GUARANTEED UP TO
550°C

Dn	A	B
80	138	30
100	138	30
110	138	30
120	138	30
125	138	30
130	138	30
140	138	30
150	138	30
160	138	30
180	138	30
200	138	30
220	138	30
250	138	30
300	138	30
350	138	30
400	138	30
450	138	30
500	138	30
550	138	30
600	138	30
650	138	30
700	138	30
750	138	30
800	138	30

NL316EXFFA..



NULL

DOUBLE FEMALE ADAPTOR SINGLE
WALL IN STAINLESS STEEL AISI 316L -
MATTE BLACK PAINT GUARANTEED UP
TO 550°C

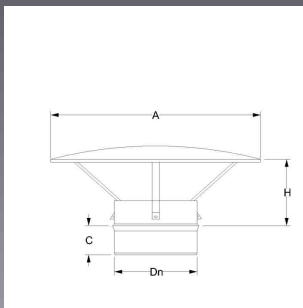
Dn	A
80	130
100	130
110	130
120	130
125	130
130	130
140	130
150	130
160	130
180	130
200	130
220	130
250	130
300	130
350	130
400	130
450	130
500	130
550	130
600	130
650	130
700	130
750	130
800	130



Tek Cidar Boyalı



NL316EXCAIS..

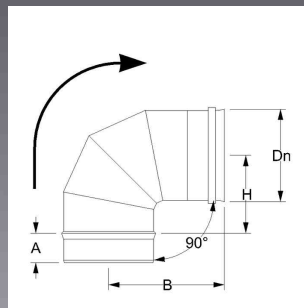


NULL

RAIN CAP SINGLE WALL IN STAINLESS STEEL AISI 316L - MATTE BLACK PAINT GUARANTEED UP TO 550°C

Dn	H	A	B
80	130	200	54
100	130	200	54
110	150	250	54
120	150	250	54
125	150	250	54
130	150	250	54
140	170	300	54
150	170	300	54
160	170	300	54
180	200	400	54
200	200	400	54
220	200	400	54
250	270	500	54
300	270	500	54
350	240	720	54
400	240	720	54
450	270	850	54
500	270	850	54
550	300	900	54
600	300	950	54
650	300	1150	54
700	310	1250	54
750	320	1350	54
800	330	1400	54

NL316EXGA90SI..



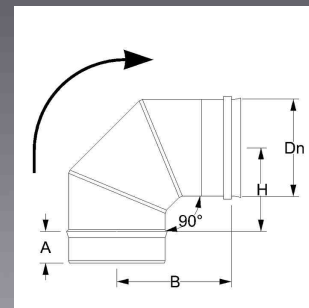
NULL

90° FIXED BEND T.I.G. WITH INSPECTION DOOR SINGLE WALL IN STAINLESS STEEL AISI 316L - MATTE BLACK PAINT GUARANTEED UP TO 550°C

Dn	H	A	B
80	80	54	130
100	95	54	145
110	100	54	150
120	100	54	150
125	105	54	155
130	105	54	155
140	105	54	155
150	110	54	160
160	125	54	175
180	130	54	180
200	135	54	185
220	170	54	220
250	180	54	250
300	200	54	300
350	288	54	343
400	313	54	368
450	338	54	393
500	363	54	418
550	388	54	443
600	413	54	468
650	507	54	562
700	532	54	587
750	557	54	612
800	582	54	637

EN 1856-1 T200 P1 W V2 L50040 O60
EN 1856-2 T450 N1 D V2 L50040 G800

NL316EXGA90X..



NULL

90° FIXED BEND T.I.G. SINGLE WALL IN STAINLESS STEEL AISI 316L - MATTE BLACK PAINT GUARANTEED UP TO 550°C

Dn	H	A	B
80	80	54	130
100	95	54	145
110	100	54	150
120	100	54	150
125	-	-	-
130	105	54	155
140	105	54	155
150	110	54	160
160	125	54	175
180	130	54	180
200	135	54	185
220	170	54	220
250	180	54	250
300	200	54	300

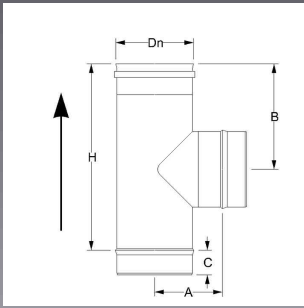
EN 1856-1 T200 P1 W V2 L50040 O60
EN 1856-2 T450 N1 D V2 L50040 G800



Tek Cidar Boyalı



NL316EXT69S..

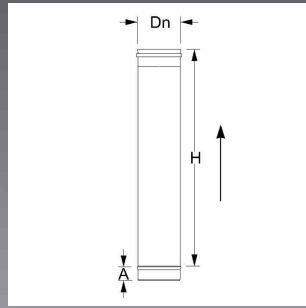


TEK CİDAR 90° T PARÇASI (316L PASLANMAZ ÇELİK) 550°C DAYANIKLI OPAK SİYAH VERNİKLİ

90° TEE SINGLE WALL IN STAINLESS STEEL AISI 316L - MATT BLACK PAINT GUARANTEED UP TO 550°C

Dn	H	A	B	C
80	270	90	162	54
100	270	100	162	54

NL316EXTA1S..

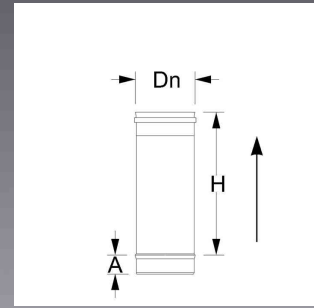


TEK CİDAR 1 m DUZ BORU (316L PASLANMAZ ÇELİK) 550°C SICAKLIĞA DAYANIKLILIK GARANTİLİ OPAK SİYAH VERNİKLİ

1 m PIPE SINGLE WALL IN STAINLESS STEEL AISI 316L - MATT BLACK PAINT GUARANTEED UP TO 550°C

Dn	H	A
80	940	54
100	940	54
110	940	54
120	940	54
125	940	54
130	940	54
140	940	54
150	940	54
160	940	54
180	940	54
200	940	54
220	940	54
250	940	54
300	940	54
350	940	54
400	940	54
450	940	54
500	940	54
550	940	54
600	940	54
650	940	54
700	940	54
750	940	54
800	940	54

NL316EXTA5S..



TEK CİDAR 0,50 m DUZ BORU (316L PASLANMAZ ÇELİK) 550°C SICAKLIĞA DAYANIKLILIK GARANTİLİ OPAK SİYAH VERNİKLİ

0,50 m PIPE SINGLE WALL IN STAINLESS STEEL AISI 316L - MATT BLACK PAINT GUARANTEED UP TO 550°C

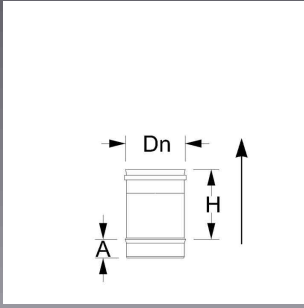
Dn	H	A
80	440	54
100	440	54
110	440	54
120	440	54
125	440	54
130	440	54
140	440	54
150	440	54
160	440	54
180	440	54
200	440	54
220	440	54
250	440	54
300	440	54
350	440	54
400	440	54
450	440	54
500	440	54
550	440	54
600	440	54
650	440	54
700	440	54
750	440	54
800	440	54



Tek Cidar Boyalı



NL316EXTA2S..

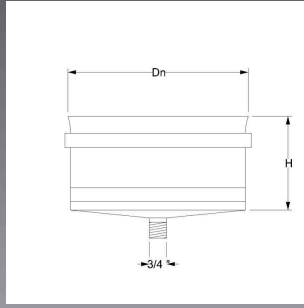


TEK CİDAR 0,25 m DUZ BORU (316L PASLANMAZ ÇELİK) 550°C SICAKLIĞA DAYANIKLILIK GARANTİLİ OPAK SİYAH VERNİKLİ

0,25 m PIPE SINGLE WALL IN STAINLESS STEEL AISI 316L - MATT BLACK PAINT GUARANTEED UP TO 550°C

Dn	H	A
80	190	54
100	190	54
110	190	54
120	190	54
125	190	54
130	190	54
140	190	54
150	190	54
160	190	54
180	190	54
200	190	54
220	190	54
250	190	54
300	190	54
350	190	54
400	190	54
450	190	54
500	190	54
550	190	54
600	190	54
650	190	54
700	190	54
750	190	54
800	190	54

NL316EXSCARSS..



NULL

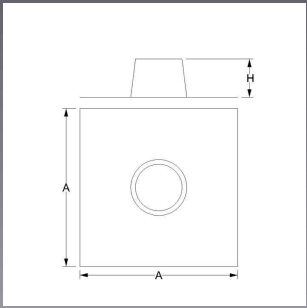
TEE CAP WITH CONDENSE DRAIN SINGLE WALL STAINLESS STEEL AISI 316L - MATTE BLACK PAINT GUARANTEED UP TO 550°C

Dn	H
80	80
100	80
110	80
120	80
125	80
130	80
140	80
150	80
160	80
180	80
200	80
220	80
250	80
300	80
350	80
400	80
450	80
500	80
550	80
600	80
650	80
700	80
750	80
800	80

EN 1856-1 T200 P1 W V2 L50040 O60
EN 1856-2 T450 N1 D V2 L50040 G800

EN 1856-1 T200 P1 W V2 L50040 O60
EN 1856-2 T450 N1 D V2 L50040 G800

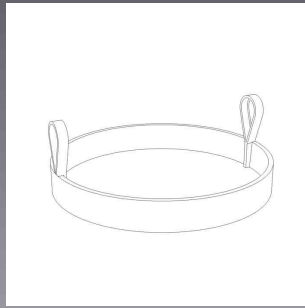
L316EXFPPSS..



DÜZ BACA ETEĞİ-PASLANMAZ ÇELİK

FLAT FLASHING IN STAINLESS STEEL

L316EXCR..

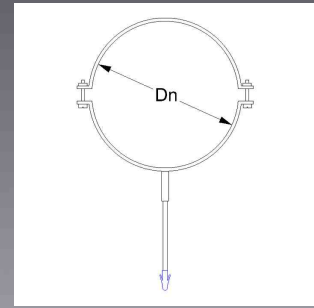


İNİŞ KELEPÇESİ - PASLANMAZ ÇELİK

BRACKET FOR RELINING IN STAINLESS STEEL

Dn	-
80	-
100	-
110	-
120	-
125	-
130	-
140	-
150	-
160	-
180	-
200	-
220	-
250	-
300	-

L316EXCCT..



DESTEKLİ DUVARA SABİTLEME KELEPÇESİ -PASLANMAZ ÇELİK

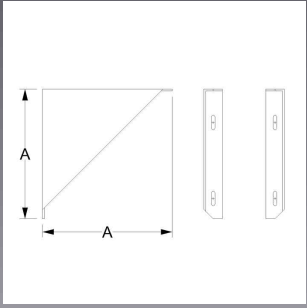
WALL BRACKET WITH DOWEL IN STAINLESS STEEL

Dn	-
80	-
100	-
110	-
120	-
125	-
130	-
140	-
150	-
160	-
180	-
200	-
220	-
250	-
300	-

aksesuarlar



L316EXCS..

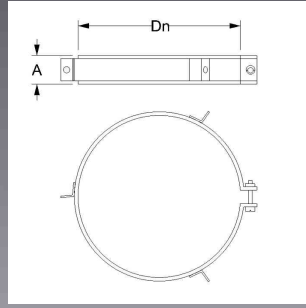


KONSOL TAŞIYICI LEVHA - PASLANMAZ ÇELİK

CANTILEVER BRACKETS (PAIR)

Dn	A
80	180
100	200
110	210
120	220
125	230
130	230
140	240
150	250
160	260
180	280
200	300
220	320
250	350
300	400
350	450
400	500
450	550
500	600
550	650
600	700
650	750
700	800
750	850
800	900

L316EXFCPSS..

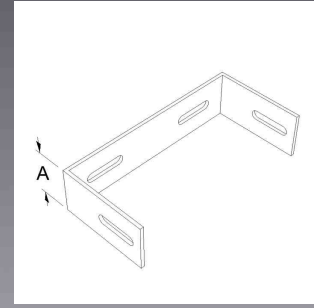


GERGİ KELEPÇESİ (3 NOKTADAN)

GUY WIRE BRACKET IN STAINLESS STEEL

Dn	A
80	40
100	40
110	40
120	40
125	40
130	40
140	40
150	40
160	40
180	40
200	40
220	40
250	40
300	40
350	40
400	40

L316EXDIS..



DUVAR KELEPÇESİ UZATICISI

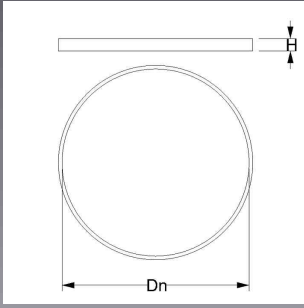
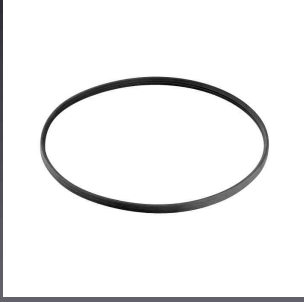
WALL BRACKET DISTANCE PIECE

Dn	A
80	50
100	50
110	50
120	50
125	50
130	50
140	50
150	50
160	50
180	50
200	50
220	50
250	50
300	50
350	50
400	50
450	50
500	50

aksesuarlar



L316EX2GN..

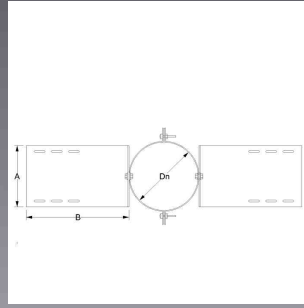


SİLİKON CONTA

SILICON SEAL

Dn	H
80	10
100	10
110	10
120	10
125	10
130	10
140	10
150	10
160	10
180	10
200	10
220	10
250	10
300	10

BFL316S..

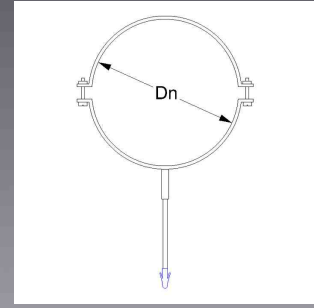


ÇATI İÇİN ÇİNKO TAŞIYICI

ROOF SUPPORT IN GALVANISED STEEL

Dn	A	B
80	180	300
100	180	300
110	180	300
120	180	300
125	180	300
130	180	300
140	180	300
150	180	300
160	180	300
180	180	300
200	180	300
220	180	300
250	180	300
300	180	300
350	180	300
400	180	300
450	180	300
500	180	300
550	180	300
600	180	300
650	180	300
700	180	300
750	180	300
800	180	300

NL316EXCOLSCT..

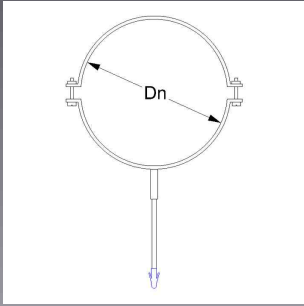


DESTEKLİ DUVAR KELEPÇESİ (304 PASLANMAZ CELİK) 550° C DAYANIKLI OPAK SIYAH VERNİKLİ

WALL BRACKET WITH DOWEL IN STAINLESS STEEL - MATT BLACK PAINT GUARANTEED UP TO 550° C

Dn	A	B
80	40	50
100	40	50
110	40	50
120	40	50
125	40	50
130	40	50
140	40	50
150	40	50
160	40	50
180	40	50
200	40	50
220	40	50
250	40	50
300	40	50
350	40	50
400	100	50
450	100	50
500	100	50
550	100	50
600	100	50
650	100	50
700	100	50
750	100	50
800	100	50

L316EXCCT..

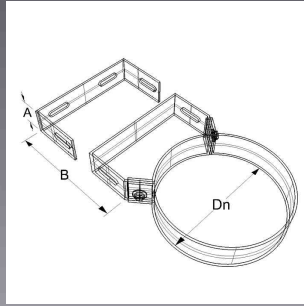


DESTEKLI DUVAR KELEPÇESİ
DIAMETRE PASLANMAZ DN80 SP.1,5 mm
RENKLI

WALL BRACKET WITH DOWEL -
STAINLESS STEEL COLOURED

Dn	-
80	-
100	-
110	-
120	-
125	-
130	-
140	-
150	-
160	-
180	-
200	-
220	-
250	-
300	-

BFL316CREG..

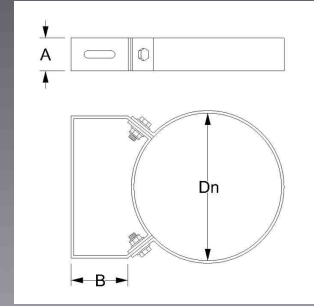


AYARLANABİLİR DUVARA SABİTLEME
KELEPÇESİ -PASLANMAZ ÇELİK

ADJUSTABLE WALL BRACKET IN
STAINLESS STEEL

Dn	A	B
80	50	100
100	50	100
110	50	100
120	50	100
125	50	100
130	50	100
140	50	100
150	50	100
160	50	100
180	50	100
200	50	100
220	50	100
250	50	100
300	50	100
350	50	100
400	50	100
450	50	100
500	50	100

L316EXCOLSS..

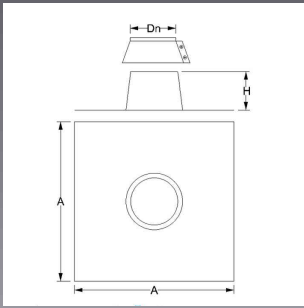


DUVARA SABİTLEME KELEPÇESİ
-PASLANMAZ ÇELİK

WALL BRACKET IN STAINLESS STEEL

Dn	A	B
80	40	50
100	40	50
110	40	50
120	40	50
125	40	50
130	40	50
140	40	50
150	40	50
160	40	50
180	40	50
200	40	50
220	40	50
250	40	50
300	40	50
350	40	50
400	100	50
450	100	50
500	100	50
550	100	50
600	100	50
650	100	50
700	100	50
750	100	50
800	100	50

BFL316FPPSSF..

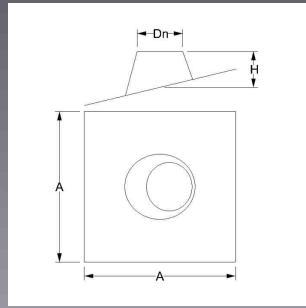


FIRTINA KELEPÇELİ DÜZ BACA ETEĞİ-
PASLANMAZ ÇELİK

FLAT FLASHING WITH STORM COLLAR
IN STAINLESS STEEL

Dn	H	A
80	120	370
100	120	400
110	130	400
120	130	450
125	150	450
130	150	450
140	150	450
150	150	450
160	160	450
180	170	500
200	180	600
220	210	600
250	210	600
300	230	650
350	230	700
400	200	700
450	200	850
500	200	900
550	200	950
600	200	1100
650	200	1200
700	200	1300
750	200	1400
800	200	1500

L316EXFPS5S..

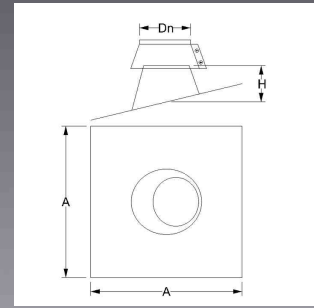


5°/30° AYARLANABİLİR EĞİK BACA
ETEĞİ -PASLANMAZ ÇELİK

ADJUSTABLE FLASHING 5°/30° IN
STAINLESS STEEL

Dn	H	A
80	120	370
100	120	400
110	130	400
120	130	450
125	150	450
130	150	450
140	150	450
150	150	450
160	160	450
180	170	500
200	180	600
220	210	600
250	210	600
300	230	650
350	200	700
400	200	700
450	200	850
500	200	900

BFL316FPS5SF..

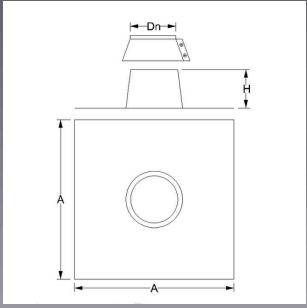


5°/30° AYARLANABİLİR KURŞUN
TABANLI VE FIRTINA KELEPÇELİ BACA
ETEĞİ -PASLANMAZ ÇELİK

ADJUSTABLE FLASHING 5°/30° WITH
STORM COLLAR IN STAINLESS STEEL
AND BASE IN PLUMB

Dn	H	A
80	120	600
100	120	600
110	130	600
120	130	600
125	150	600
130	150	600
140	150	600
150	150	800
160	160	800
180	170	800
200	180	800
220	210	800
250	210	800
300	230	800
350	200	1000
400	200	1000
450	200	1000
500	200	1000

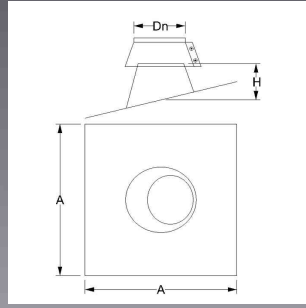
BFL316AFPS5SF..



BACA ETEĞİ EĞİK 5° - 30° DIAMETRE DN
80 SIMIN ALU FIRLATMA BASLIĞI
KELEPÇESİ AISI 304 BA

flashing adjustable 5°-30° DN 80 with
base in alluminium with storm collar

BFL316FPS3S..

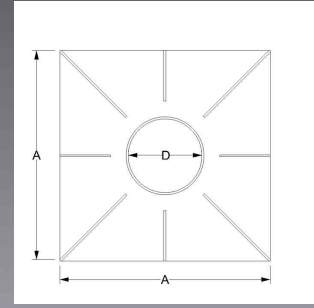


30°/45° AYARLANABİLİR KURŞUN
TABANLI VE FIRTINA KELEPÇELİ BACA
ETEĞİ -PASLANMAZ ÇELİK

ADJUSTABLE FLASHING 30°/45° WITH
STORM COLLAR IN STAINLESS STEEL
AND BASE IN PLUMB

Dn	A	H
80	600	120
100	600	120
110	600	130
120	600	130
125	600	150
130	600	150
140	600	150
150	800	150
160	800	160
180	800	170
200	800	180
220	800	210
250	800	210
300	800	230
350	1000	200
400	1000	200
450	1000	200
500	1000	200

BFL316PTFLE..

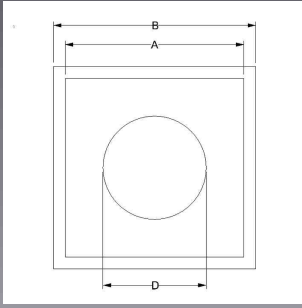
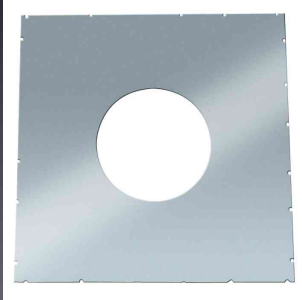


BAŞLIK TUTMA LEVHASI

TERMINAL PLATE

Dn	A	D1
60	400	140
73	-	-
80	400	140
90	400	140
100	400	140
110	400	140
120	400	140
125	400	140
130	400	160
140	400	160
150	400	180
155	400	180
160	400	180
180	400	200
200	400	220
220	400	250
225	400	250
250	400	300
300	400	350
350	-	-
400	-	-

BFL316PTFI..

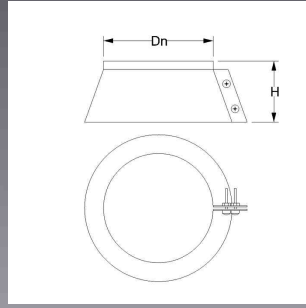


ATEŞ TUTUCU LEVHA

LOWER FIRE STOP SPACER

Dn	A	B	D
80	381	431	110
100	381	431	130
110	381	431	140
120	401	451	150
125	-	-	-
130	401	451	160
140	409	459	170
150	423	473	180
160	450	500	190
180	450	500	210
200	470	520	230
220	490	540	250
250	520	570	280
300	570	620	330
350	620	670	380
400	670	720	430
450	720	770	480
500	770	820	530

L316EXFAPS2S..

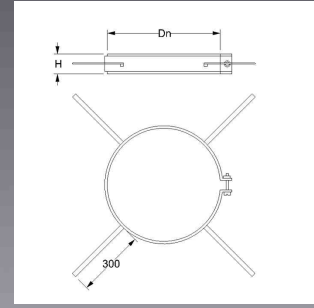
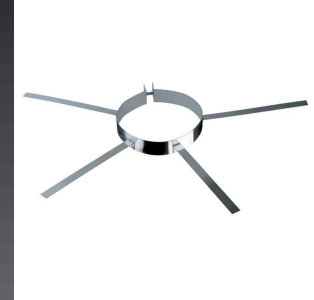


FIRTINA KELEPÇESİ PASLANMAZ ÇELİK

STORM COLLAR IN STAINLESS STEEL

Dn	H
80	100
100	100
110	100
120	100
125	100
130	100
140	100
150	100
160	100
180	100
200	100
220	100
250	100
300	100
350	100
400	100
450	100
500	100
550	100
600	100
650	100
700	100
750	100
800	100

L316EXCD..



AHTAPOT KELEPÇE

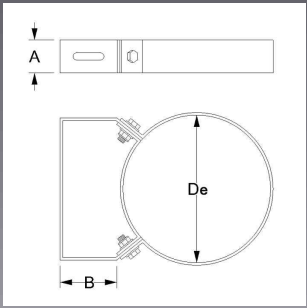
SPACING BRACKET

Dn	A
80	40
100	40
110	40
120	40
125	40
130	40
140	40
150	40
160	40
180	40
200	40
220	40
250	40
300	40

aksesuarlar

EXPO
INOX

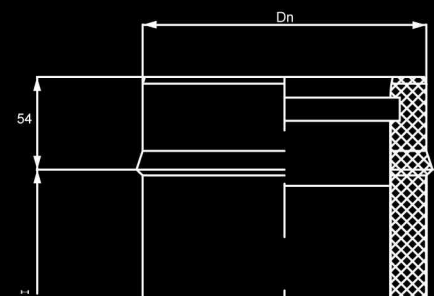
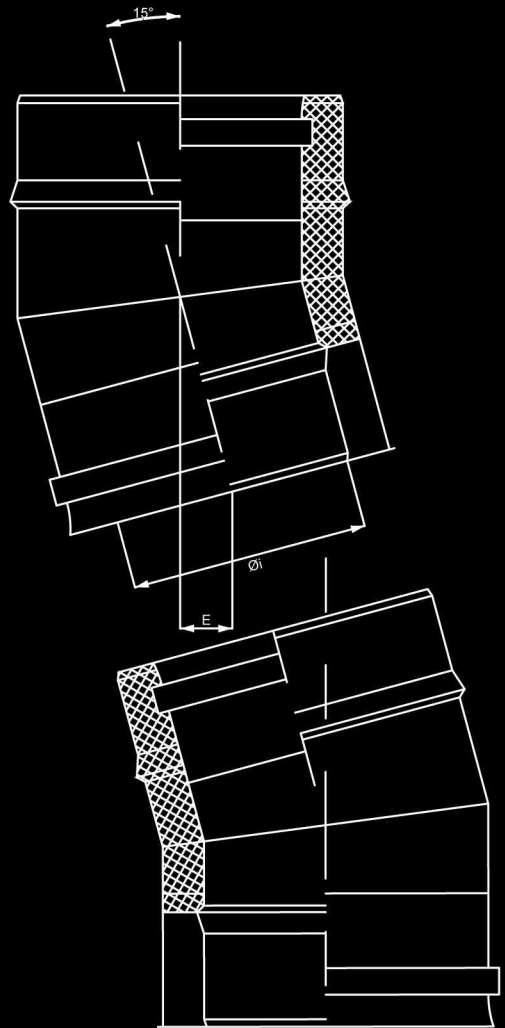
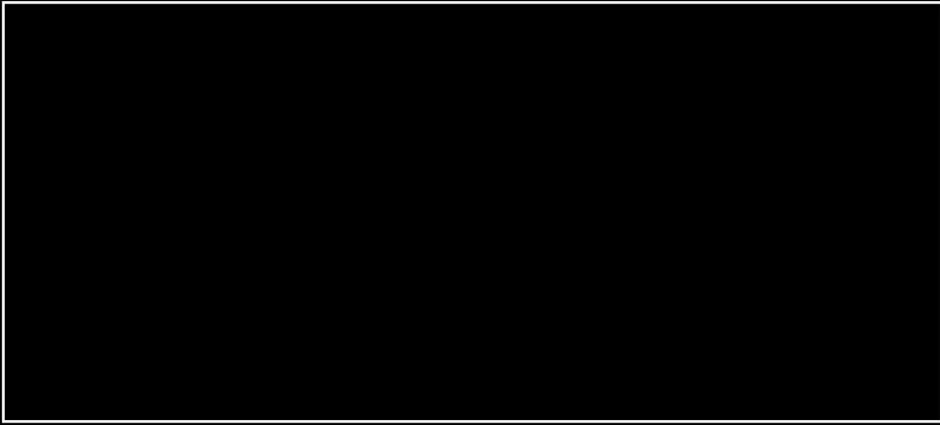
NEXCOLC..



DUVAR KELEPCESI DIAMETRE
PASLANMAZ DN 80 SP.2 mm H.40 mm.
RENKLI

WALL BRACKET INOX COLOURED

Di	A	B
80	40	50
100	40	50
130	40	50
150	40	50
180	40	50
200	40	50
250	40	50
300	40	50
350	100	50
400	100	50
450	100	50
500	100	50
550	100	50
600	100	50
650	100	50
700	100	50
750	100	50
800	100	50



www.expoinox.com